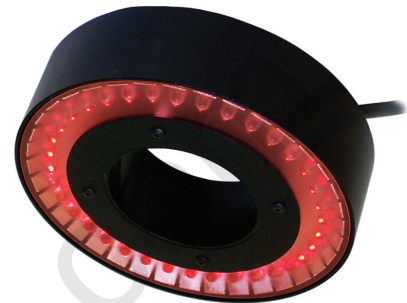


RL3536

Dark Field Ring Light



- Aii** Exceptional lighting for inspecting specular surfaces.
- Aii** Produces classic dark field illumination.

Ordering Information

Standard Product:
Shipped Next Day

RL3536-660C2

Configured for use with Ai
Power Supply

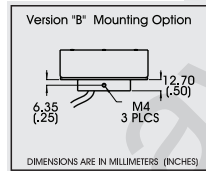
Standard Product Variation:
Shipped Within Two Weeks

Mounting Options	Spectral wavelength	Optional power Compatibility	Optional Light Conditioning	Alternative Connector
RL3536 X B	XXX (UV) 395 [◇] (blue) 470 (green) 520 (yellow) 590 (orange) 625 (red) 660 (infra-red) 880 (white) WHI	XX IC IS C2 C3 C5 24	X D (Diffuser) P (Polarizer)	XXX M12* (IS: 5-pin male; IC/24: 4-pin male)

IC = iCS (requires 24v power supply)
IS = ISU (24 volt PS required.)
C2 = Ai Connector
C3 = Pulsar 710 Connector
C5 = Pulsar 320 Connector
* Available with IC, IS, and 24v options only

Optimal working distance:

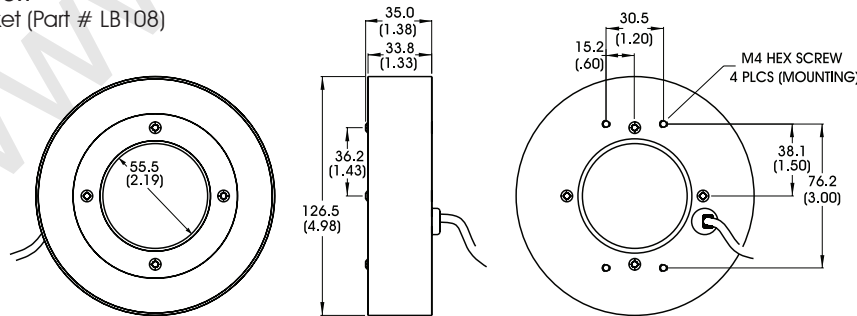
76.2mm (3")
up to 152.4mm (6")



[◇]UV LEDs have a considerably shorter half-life than other LEDs (<1000hrs). For this reason Ai recommends these LEDs be used in strobe mode only. For applications requiring continuous 24v power, contact Ai for assistance.

Dimensional Information

Includes Mounting Bracket (Part # LB108)



[Click for Installation Models & Drawings](#)

Cable Length: 1.5 Meter (59")

DIMENSIONS ARE IN MILLIMETERS (INCHES)

Standard Variation Current Specifications

	blue	green	yellow	orange	red	infra-red	white	
@24	120	120	120	120	120	120	120	mA

Standard Product Information

Finish: Black Anodized
Operating Temperature: 0-60° C
Meets Specifications: CE, RoHS

LED products provide a lifespan significantly greater than other