



## >>>700TVL, TRUE DAY/NIGHT, WDR, FULL BODY CAMERA

### 700TVL CAMERA **C700TDN**



Lens not included

- > High performance 1/3" Sony EXview HAD CCD II Technology
- > Excellent Video Quality with 700TVL Color Resolution (750TVL, B/W)
- > C/CS Lens Mount
- > TRUE Day/Night (TDN) Operation with Programmable Settings
- > On Screen Display (OSD) with Tactile Programming Switch
- > Digital Wide Dynamic Range (D-WDR), Mirror and Sharpness Functions
- > 2D Digital Noise Reduction (2D-DNR)
- > Back Light Compensation (BLC) and High Light Compensation (HLC)
- > Privacy Masking (4 position) and Video Motion Detection (4 areas)
- > Optional Lenses, Housing and Mounts Available
- > Dual Voltage 12VDC/24VAC Capability

# 700TVL CAMERA

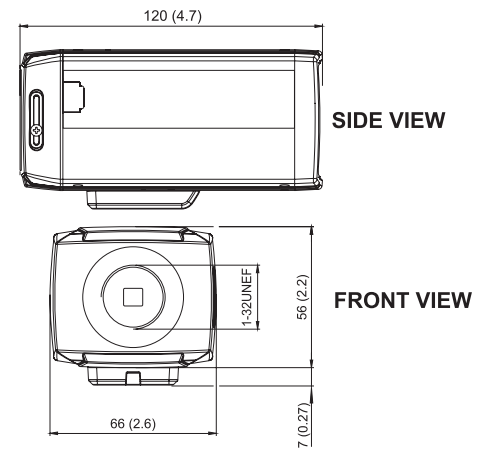
# C700TDN

ULTIMATE SERIES

## SPECIFICATIONS

MODEL		C700TDN
P O W E R	Voltage	12VDC/24VAC
	Power	3.5W
V I D E O	CCD Image Sensor	1/3" SONY EXview HAD CCD II
	Total Pixels	1020 (H) x 508(V)
	Scanning System	2:1 Interlace
	Scanning Frequency	15.734KHz (H), 59.94Hz (V)
	Sync. System	Internal
	Electronic Shutter	1/60 ~ 1/10,000
	Resolution	700TVL color; 750TVL B/W
	Minimum Illumination	0.15 lux (color), 0.01 lux (B/W)
	Video Output	1.0Vp-p (75-ohm, composite)
	S/N Ratio	> 50dB (AGC off)
	OSD Camera Control	Tactile Switch
F U N C T I O N	D-WDR (Adaptive Tone Reproduction)	LUMINANCE(L/M/H), CONTRAST(L/LM/M/MH/H)
	Backlight	OFF / BLC / HLC
	Day & Night	AUTO
	MD (Motion Detection)	On (4 areas) / Off Adjustable Size & Sensitivity
	PM (Privacy Masking)	0 ~ 4 zone
	WB (White Balance)	ATW / PUSH / USER1 / USER2 / ANTI CR / MANUAL / PUSH LOCK
	AGC (Auto Gain Control)	On / Off
	Exposure	Auto Iris / Auto Iris + Electronic Shutter
	Brightness	0 ~ 255 steps
	Contrast	0 ~ 255 steps
	Sharpness	0 ~ 255 steps
	HUE	0 ~ 255 steps
	Gain	0 ~ 255 steps
	2D-DNR (Digital Noise Reduction)	OFF / Y / C / Y, C
Mirror	ON / OFF	
G E N E R A L	Power Input	2-pin Terminal Block
	Composite Video Output	BNC
	Lens Mount	C/CS
	Operating Temperature	14°F ~ 122°F (-10°C ~ 50°C)
	Operating Humidity	0~96% (non-condensing)
	Dimensions (W x H x D)	2.6 x 2.2 x 4.7in (66 x 63 x 120mm)
	Weight	0.53lbs (0.24kg)
	Conformity Certifications	FCC, CE, RoHS

## DIMENSIONS



A-CM150



A-CM151



EHWMB



Lenses



CMD16W



CM-TBAR

## ACCESSORIES

A-CM150	Corner mount for EHWMB
A-CM151	Pole mount for EHWMB
EHWMB	Environmental Camera Housing
SCV55014DC	5 - 50mm VF, DC AI Lens
A-LTV223314GCS	3.3~8mm Varifocal DC Auto-Iris Lens
SV2812ASIR	2.8~12mm Varifocal DC Auto-Iris Lens
CM-TBAR	Camera Mount for Drop Ceiling "T-bar"
CMD16W	Camera Wall Mount (White)