



## Discover 750 Series 700 TVL 960H Outdoor Bullet Camera

### Features That Make a Difference:

- 1/3" Sony 960H Image Sensor for best low-light performance
- Wide Dynamic Range (WDR) for clear images even under challenging environments
- High resolution 700 TVL
- 2.8-10mm or 9-22mm / F1.2 or F1.4 varifocal auto iris lens
- IR illuminators for operation in scenes down to 0 lux
- True Day/Night (TDN) mode
- Fully adjustable mount for easy positioning
- Service jack with second video output for camera setup
- 15 Programmable privacy zones
- 12VDC/24VAC

The Discover 750 Series Bullet Camera provides powerful functionality with exceptional Wide Dynamic Range (WDR) and True Day/Night (TDN) mode. With a resolution of 700 TVL the bullet camera delivers extremely accurate images and true color reproduction during both day and night, in a variety of lighting conditions. With its sleek design, the bullet camera can be easily concealed and go relatively unnoticed in a variety of locations.

Leveraging Sony Image Sensor technology, the Discover 750 Series Bullet Camera accurately captures all of the critical details in a scene including highlights, shadows and everything in between while maintaining color accuracy. Requiring just 0.3 lux of illumination to produce usable, color images

at a full 30 frames per second, the camera is the natural choice both indoors and outdoors. An integrated IR illuminator allows the camera to operate in situations where no visible lighting is present (0 lux).

With a high-impact, vandal-resistant housing, the bullet camera can withstand the harshest environments. Its IP66-rated enclosure prevents damage from dust and other debris, as well as water damage. User controls are easily accessed from the rear of the camera after removing the water tight cover.

## Specifications

### Operational

Imager ..... Sony 1/3" Super HAD-II Wide Dynamic  
 Horizontal Resolution ..... 700 TVL  
 Active Pixel Count (H x V) ..... 758 x 540  
 Lens (Varifocal Auto Iris) ..... 2.8-10mm: F1.2;  
 9-22mm: F1.4  
 Scanning Frequency ..... 60Hz (NTSC); 50Hz (PAL)  
 Min. Scene Illumination ..... Day mode: 0.3 lux (50IRE, F1.2, 30fps)  
 Night mode: 0.0 lux  
 Iris Control ..... DC auto  
 S/N Ratio ..... >48dB  
 Synchronization ..... Internal or line lock  
 Shutter Speed ..... 1/60-1/30, 720 sec (NTSC)  
 1/50-1/30, 720 sec (PAL)  
 IR Illuminator ..... 850nm/50m

### Controls

AGC ..... Day: 0-60dB; Night: 0-60dB  
 Wide Dynamic Range ..... 102dB typical, 120dB max.  
 AES ..... Yes  
 BLC ..... Full range  
 White Balance ..... ATW, AWB, Manual  
 Auto White Balance Range ..... 2800K-9100K (normal);  
 2000K-11000K (extended)  
 Day/Night ..... True Day/Night  
 Digital Zoom ..... 1x - 8x  
 Brightness ..... Adjustable  
 Sharpness ..... Adjustable  
 Noise Reduction ..... 3D motion adaptive  
 Privacy Zones ..... 15 programmable  
 Mirror ..... Horizontal, vertical or both  
 Onscreen Display ..... Camera ID and menus

### Connectors

Video Output ..... Composite with 1VPP

### Electrical

Voltage ..... DC 10.8V-13.3V, AC 19.2V-28.8V  
 Power Consumption ..... 2.2W (max.);  
 7W when IR and True Day/Night on

### Mechanical

Dimensions ..... 84.6 x 186.60 mm (33.3 x 7.34 in)  
 Weight ..... 1220g (2.69 lbs)  
 Housing Material ..... Aluminum  
 Housing Color ..... Silver RAL 9022, (Pantone® 877C)

### Environmental

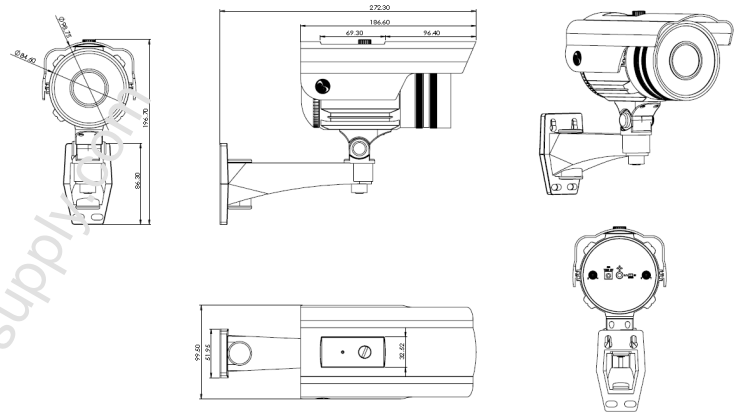
Operational Temperature ..... -10°C to 50°C (14°F to 122°F)  
 Storage Temperature ..... -20°C to 60°C (-4°F to 140°F)  
 Relative Humidity ..... 90% (non-condensing)

### Regulatory

IP Rating ..... IP66  
 Emissions ..... FCC: Part 15, Class B  
 CE: EN61000, Class B

### Immunity

Safety ..... CE: EN50130-4  
 NTSC: UL60950 and CSAC22.2 No. 60950  
 PAL: IEC60950



## Ordering Information

Brand	Camera	Series	Bullet	Color	Environment	Lens	Infrared	Format
AD	CA	75	B	W = Silver	I = Indoor O = Outdoor	3 = 9-22mm Varifocal 4 = 2.8-10mm Varifocal	R	N = NTSC P = PAL

## Related Products



ADTVR Series



victor

## Approvals



[www.americandynamics.net](http://www.americandynamics.net)