

- 1/3" CMOS 1.0 MEGAPIXEL
- 720p RESOLUTION
- 30PCS IR LEDS, 20M DISTANCE
- 2.8-12mm LENS
- METAL CASE



## PRODUCT DESCRIPTION

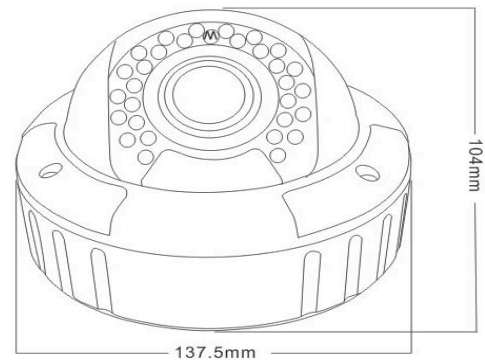
Bolide New High Definition over Coax series of cameras delivers HD 720P quality over coaxial cable utilizing a 1 megapixel CMOS sensor. These HD cameras can utilize existing infrastructure and deliver quality that is far superior to traditional analog CCTV with a cost effective solution to upgrade your analog system to an HD quality product.

AngeloHD cameras deliver very detailed high definition images with no compression artifacts or transmission-related delays. AngeloHD line of cameras can be easily integrated into an existing 960H/D1 system making this product not only an upgrade in image quality but an easy smooth transition into a complete HD system.

## CAMERA CHARACTERISTICS

<b>SIGNAL SYSTEM</b>	NTSC / PAL
<b>SENSOR</b>	1/3"CMOS 1.0MP
<b>DSP</b>	NVP2431H
<b>ACTIVE PIXEL</b>	1280*720
<b>RESOLUTION</b>	720P
<b>LENS</b>	2.8-12mm Lens
<b>VIDEO.OUT</b>	AHD
<b>SENSIBILITY</b>	0.01Lux(F1.2)
<b>GAMA</b>	0,45
<b>ELECTRIC SHUTTER</b>	1/50s-1/50000s
<b>S/N RATIO</b>	50dB(min)(AGC closed)
<b>WHITE BALANCE</b>	ATW
<b>AGC</b>	AUTO
<b>BLC</b>	AUTO
<b>OSD</b>	Yes
<b>DIMENSIONS</b>	137.5mm Φ 104mm(H)
<b>CASE MATERIAL</b>	Metal
<b>Language</b>	12 kinds
<b>CERTIFICATIONS</b>	
<b>CE</b>	Yes
<b>FCC</b>	Yes
<b>RoHS Compliant</b>	Yes

## General Dimensions



## ENVIRONMENTAL

<b>OPERATION TEMPERATURE</b>	Temperature -10°C~+60°C, Humidity less than 85%RH
------------------------------	--

## IR ILUMINATION

<b>IR LEDs</b>	5 x 30 PCS
<b>IR DISTANCE</b>	20M

## POWER

<b>POWER INPUT</b>	DC12V±1V
<b>POWER DISSIPATION</b>	70mA