

- ADVANCED IT IMAGE SENSOR
- 800 TVL RESOLUTION
- 0 LUX IR ON
- IR CUT-FILTER BUILT IN
- 2.8 - 12mm MEGA PIXEL LENS
- ADVANCED DAY / NIGHT AUTO SWITCHING MODE
- 36 LEDS WITH 100FT EFFECTIVE DISTANCE



Bolide's Tiger-I Plus cameras have been developed as high-resolution color surveillance cameras powered by latest IT image sensor. With 800TVL resolution this line of cameras deliver excellent images for monitoring and recording. With built- in Mechanical IR-Cut filter, the Tiger-I line of cameras offers images 24 hours a day. The bullet **BC6836-28T** is one more versatile option of Tiger-i line of cameras, excellent option for different applications and a cost effective high performance solution for different video surveillance projects.

OPTICAL INFORMATION	BC663628T
IMAGE SENSOR	1/3" IT Image Sensor
SIGNAL SYSTEM	NTSC
CAMERA TYPE	Color / Day-Night
HORIZONTAL RESOLUTION	800TVL
EFFECTIVE PIXELS	976(H) X 494 (V)
SYNC SYSTEM	Internal
SENSING AREA	4.8mm x 3.6mm
MINIMUM ILUMINATION	0 Lux(IR On)
S/N RATIO	More than 50dB (AGC OFF)
MECHANICAL IR CUT FILTER(IRC)	Built In
ELECTRONIC SHUTTER SPEED	1/60~1/100,000sec
WHITE BALANCE	Auto Tracking
GAMMA	0.45
VIDEO OUTPUT	1.0Vp~p75Ω

LENS	
LENS TYPE	Megapixel Varifocal
FORMAT SIZE	2.8-12mm

IR ILUMINATION	
INFRARED LEDS	36pcs
INFRARED WAVELENGTH	850nm
INFRARED LAMP IRRADIATION DISTANCE	110ft / 33,5mts

MECHANICAL	
DIMENSIONS (mm)	L132xH90xW86.3
WEIGHT	0.85lbs

ENVIRONMENTAL	
WORKING TEMPERATURE	14°F~122°F -10°C~50°C
STORAGE TEMPERATURE	-22°F ~ 140°F -30°C ~ 60°C

ELECTRICAL

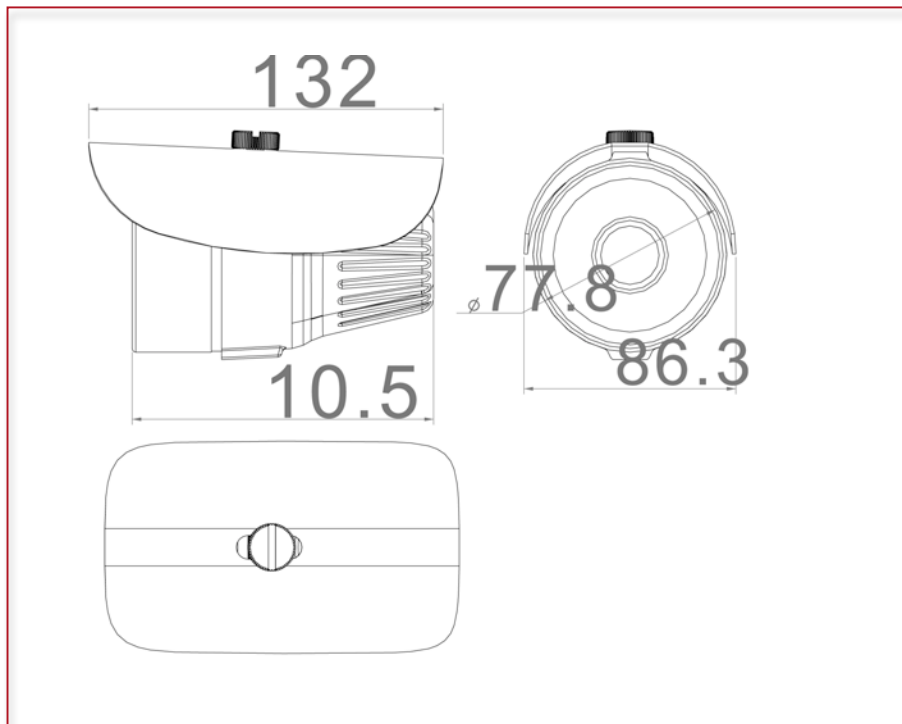
INPUT VOLTAGE	12VDC
POWER CONSUMPTION	Less than 5W
RECOMMENDED POWER SUPPLY	DC12V± 5%

CERTIFICATIONS

CE	Yes
FCC	Yes

Technical Drafts

(Dimensions in mm)

**Additional Views**