

LTC 5136 AutoDome Controller

www.boschsecurity.com



BOSCH
Invented for life



- ▶ Controls a single AutoDome Camera System or Standard Allegiant Receiver/Drivers
- ▶ Up to 16 individual Bi-Phase control code outputs available
- ▶ Controls all AutoDome System features including auto playback
- ▶ Small, compact design
- ▶ Ergonomic layout for single-handed control

The LTC 5136 AutoDome Controller provides complete control of the AutoDome system's advanced features, including proportional speed control, auto tour, 99 presets, and full pan/tilt/zoom operation - all from a single one-handed control unit.

Functions

The LTC 5136 AutoDome Controller is compatible with the standard Allegiant LTC 856x Series Receiver/Drivers, using the Allegiant Bi-Phase control code. Each of the 16 Bi-Phase control code outputs provided by this control system is capable of transmitting data up to 1.5 km (5000 ft) using 1 mm² (18 AWG) shielded twisted pair cable.

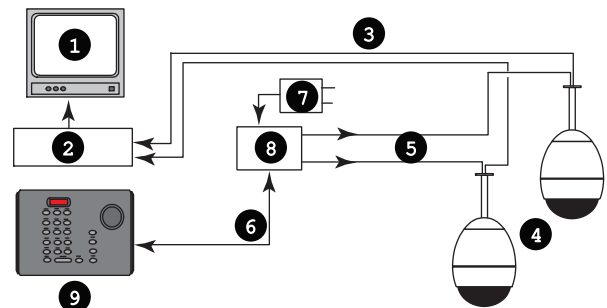
Wiring configurations consisting of either 'star' or 'daisy' chain can be used. In a 'star' configuration, a single camera can be connected to each of the 16 outputs. When using 'daisy chain' wiring configurations, where a single data cable is 'looped' through each of the cameras, up to 8 cameras can be connected to an output.

The LTC 5136 AutoDome Controller includes a 22-key control unit with integral vector-solving pan/tilt/zoom joystick, interface box, and an appropriate power supply.

Certifications and approvals

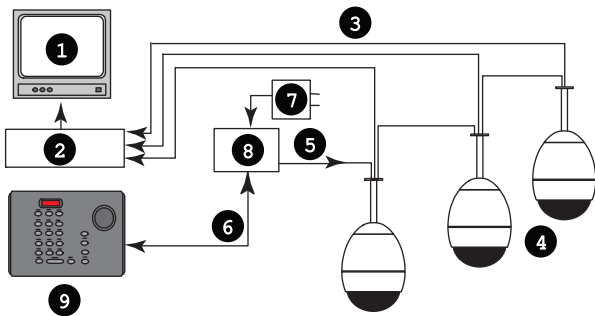
| | |
|-------------------------------------|--|
| Electromagnetic Compatibility (EMC) | Complies with FCC Part 15, ICES-003, and CE regulations |
| Product Safety | Complies with CE regulations, UL, CSA, EN, and IEC Standards |

Installation/configuration notes



Typical Installation

- 1 Video Monitor
- 2 DVR or Video Switcher
- 3 Video Coax Cable
- 4 Typical AutoDome Camera or Allegiant Receiver/Driver Units
- 5 Up to 16 Bi-Phase Control Code Outputs
- 6 RS-232 Data and Power
- 7 Power Supply Adapter (Supplied)
- 8 Data Converter Unit
- 9 AutoDome Controller



Typical Multiple Camera Sites using Daisy Chain Bi-Phase Control Code Wiring Configuration

- 1 Video Monitor
- 2 DVR or Video Switcher
- 3 Video Coax Cable
- 4 Typical AutoDome Cameras or Allegiant Receiver/Driver Units
- 5 Typical Bi-Phase Control Code Output
- 6 RS-232 Data and Power
- 7 Power Supply Adapter (Supplied)
- 8 Data Converter Unit
- 9 AutoDome Controller

Technical specifications

Electrical

Includes Control Unit and Interface Box with applicable power supply.

| Model No. | Rated Voltage | Voltage Range | Power at Rated Voltage |
|-------------|---------------------|-----------------|------------------------|
| LTC 5136/51 | 230 VAC 50/60 Hz | 195.5 to 253 | 6 W |

| | | | |
|-------------|---------------------|------------|-----|
| LTC 5136/61 | 120 VAC 50/60 Hz | 105 to 132 | 6 W |
|-------------|---------------------|------------|-----|

Transmission Distance

1.5 km (5000 ft) using 1 mm² (18 AWG) shielded twisted pair cable (Belden 8760 or equivalent)

Control Unit

| | |
|------------------------|--|
| Indicators | Camera/entry data; 4-digit 7-segment LED display |
| Controls | Set, User, Camera, Shot, On, Off, Enter, Clear, Focus, Iris, 10-Digit Numeric Keypad, Joystick |
| Connector | RJ-11 |
| Finish | Charcoal |
| Dimensions (W x D x H) | 220 x 155 x 101 mm (8.67 x 6.11 x 4.00 in.) |
| Weight | 0.55 kg (1.2 lb) |

Interface Box

| | |
|-------------------------------------|--|
| Indicator | Green data LED |
| Connectors | |
| Data In | 9-pin D connector |
| Bi-Phase Output | Removable terminal blocks with three connections: "+", "-", and "S" (Shield) for each of the sixteen Bi-Phase code outputs |
| Control Unit Connection | RJ-11 |
| Control Unit to Interface Box Cable | 3 m (10 ft) with RJ-11 connector |
| Power Connector | Bayonet type |
| Case | Black plastic with metal mounting flanges |
| Dimensions - Overall (W x D x H) | 154 x 132 x 38 mm (6.08 x 5.25 x 1.5 in.) |
| Weight | 0.132 kg (0.7 lb) |

Environmental

| | |
|-----------------------|-------------------------------|
| Operating Temperature | 0°C to 40°C (32°F to 104°F) |
| Storage Temperature | -10°C to 50°C (14°F to 122°F) |
| Humidity | 10%–90%, non-condensing |

Ordering information

LTC 5136/51 AutoDome Controller
with 16 outputs for AutoDomes or for Allegiant Receiver/Drivers units, 230 VAC, 50/60 Hz
Order number **LTC 5136/51**

LTC 5136/61 AutoDome Controller

with 16 outputs for AutoDomes or for Allegiant Receiver/Drivers units, 110 VAC, 50/60 Hz

Order number **LTC 5136/61**

Represented by:

Americas:

Bosch Security Systems, Inc.
130 Perinton Parkway
Fairport, New York, 14450, USA
Phone: +1 800 289 0096
Fax: +1 585 223 9180
security.sales@us.bosch.com
www.boschsecurity.us

Europe, Middle East, Africa:

Bosch Security Systems B.V.
P.O. Box 80002
5617 BA Eindhoven, The Netherlands
Phone: + 31 40 2577 284
Fax: +31 40 2577 330
emea.securitysystems@bosch.com
www.boschsecurity.com

Asia-Pacific:

Robert Bosch (SEA) Pte Ltd, Security Systems
11 Bishan Street 21
Singapore 573943
Phone: +65 6571 2808
Fax: +65 6571 2699
apr.securitysystems@bosch.com
www.boschsecurity.asia

China:

Bosch (Shanghai) Security Systems Ltd.
201 Building, No. 333 Fuquan Road
North IBP
Changning District, Shanghai
200335 China
Phone +86 21 22181111
Fax: +86 21 22182398
www.boschsecurity.com.cn

America Latina:

Robert Bosch Ltda Security Systems Division
Via Anhanguera, Km 98
CEP 13065-900
Campinas, Sao Paulo, Brazil
Phone: +55 19 2103 2860
Fax: +55 19 2103 2862
latam.boschsecurity@bosch.com
www.boschsecurity.com