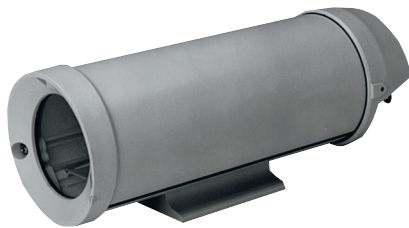


LTC 9480/00 Indoor Housing

www.boschsecurity.com



BOSCH
Invented for life



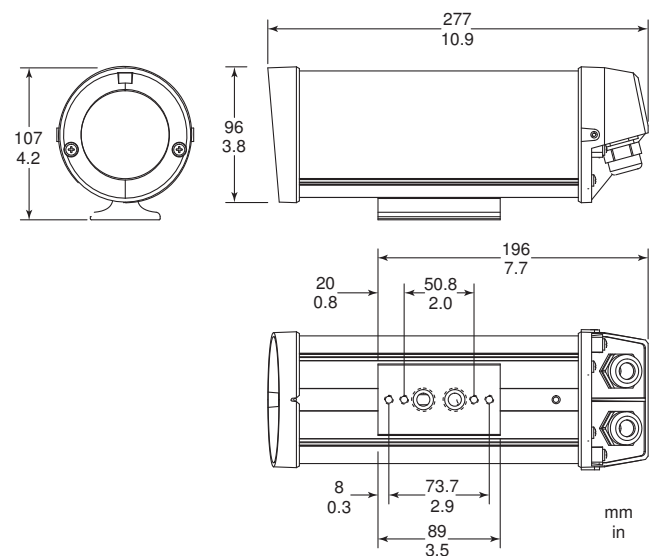
- ▶ For 1/4-inch, 1/3-inch and 1/2-inch CCD Cameras
- ▶ Feed-through Wiring Option
- ▶ Aluminum and Advanced Polymer Construction
- ▶ Easy Installation
- ▶ Full Camera Accessibility

The LTC 9480/00 Housing is smartly styled for indoor use. This housing meets customers' demands for attractive housings that are both cost competitive and easy to install. They fit a wide range of 1/4-inch, 1/3-inch and 1/2-inch format CCD cameras and lenses.

Functions

The design of these housings is unique. Removal of two captive screws is all that is necessary to slide off the cover and totally expose the camera and lens. This allows access to all camera and lens controls when the camera is in its mounted position. Power and video cabling can be routed through liquid tight fittings in the bottom rear of the housing or can be routed through the mounting base. Feed-through mounts and J-mounts are available for these housings. The base of the housing permits mounting to pan/tilts, adjustable heads, and various wall mounts.

Installation/configuration notes



Dimensional Outline

Parts included

Quantity	Component
1	LTC 9480/00 Indoor Housing

Technical specifications

Electrical

Maximum Camera Power	Use with 24 VAC cameras not exceeding 30 W
----------------------	--

Mechanical

Maximum Camera and Lens (W x H x L)	68 x 54 x 197 mm (2.68 x 2.1 x 7.75 in.)
-------------------------------------	---

Cable Entry:

Two liquid tight rear fittings accept cable diameters from 4.3 mm to 11.9 mm (0.17 in. to 0.47 in.). Two bottom feed-through liquid tight fittings accept cable diameters from 4.6 mm to 7.9 mm (0.18 in. to 0.31 in.).

Window	3 mm (0.12 in.) thick UV-stabilized polycarbonate.
Housing Mounting	Four (4) available 1/4-20 tapped holes. Only one set of two are required for mounting.
Camera Mounting	Removable camera bracket. Mounted with two screws.
Construction	Aluminum cover, aluminum base, aluminum mounting foot, polycarbonate faceplate, glass reinforced polycarbonate end caps, neoprene gasket, ethylene propylene seal, and all stainless steel hardware.
Finish	Dark mushroom.
Dimensions	See LTC 9480/00 drawing.
Weight	1.4 kg (3 lb)

Environmental

Salt Atmosphere	MIL-STD-810E, Method 509, Procedure 1.
Enclosure Protection	Designed to NEMA-3R, IP55.

Electromagnetic Compatibility

Safety	CE, UL, cUL
--------	-------------

Accessories

LTC 9080/00 Tamper Resistant Kit	Includes 10 screws and insertion tool to permit tamper resistance for five housings.
LTC 9215/00 Feed-through Mount	Attached to the foot of the housings, allows wires to be fed-through the mount and into the foot of the housing.
LTC 9219/01 Feed-through J-Mount	Allows housing to be mounted from ceiling.

Suggested Applications
Camera Lens

LTC 0335 Fixed/Varifocal
LTC 0355 Fixed/Varifocal
LTC 0435 Fixed/Varifocal
LTC 0455 Fixed/Varifocal

1. The camera mounting block must be removed.

Ordering information

LTC 9480/00 Indoor Housing
for camera/lens to 175 mm (6.9 in)
Order number **LTC9480/00**

Represented by:

Americas:

Bosch Security Systems, Inc.
130 Perinton Parkway
Fairport, New York, 14450, USA
Phone: +1 800 289 0096
Fax: +1 585 223 9180
security.sales@us.bosch.com
www.boschsecurity.us

Europe, Middle East, Africa:

Bosch Security Systems B.V.
P.O. Box 80002
5617 BA Eindhoven, The Netherlands
Phone: + 31 40 2577 284
Fax: +31 40 2577 330
emea.securitysystems@bosch.com
www.boschsecurity.com

Asia-Pacific:

Robert Bosch (SEA) Pte Ltd, Security
Systems
11 Bishan Street 21
Singapore 573943
Phone: +65 6571 2808
Fax: +65 6571 2699
apr.securitysystems@bosch.com
www.boschsecurity.asia

China:

Bosch (Shanghai) Security Systems Ltd.
201 Building, No. 333 Fuquan Road
North IBP
Changning District, Shanghai
200335 China
Phone +86 21 22181111
Fax: +86 21 22182398
www.boschsecurity.com.cn

America Latina:

Robert Bosch Ltda Security Systems Division
Via Anhanguera, Km 98
CEP 13065-900
Campinas, Sao Paulo, Brazil
Phone: +55 19 2103 2860
Fax: +55 19 2103 2862
latam.boschsecurity@bosch.com
www.boschsecurity.com