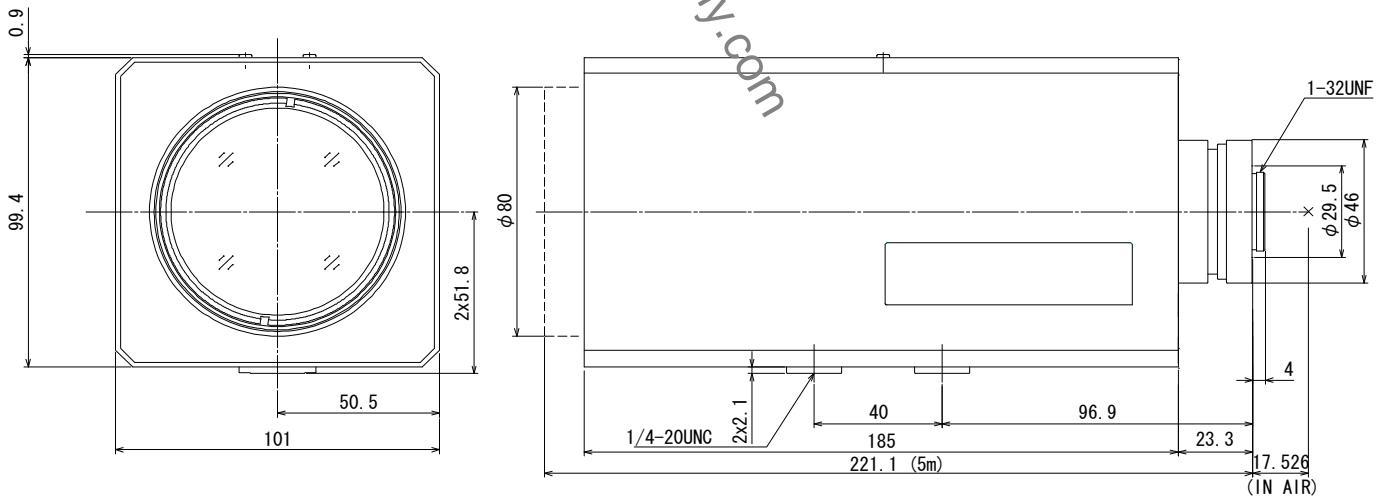


## computar M24Z1527PDC-MP

24X 15mm-360mm F2.7  
for 2/3 type Megapixel Cameras, Motorized Zoom  
C-Mount

Model No.	M24Z1527PDC-MP			Effective	Front	$\phi$ 66mm	
Focal Length	15mm - 360mm			Lens Aperture	Rear	$\phi$ 13.8mm	
Max. Aperture Ratio	1:2.7			Back Focal Length		19.3mm	
Max. Image Circle	$\phi$ 11mm			Flange Back Length		17.526mm	
Operation Range	Iris	F2.7 - F500C		Mount		C-Mount	
	Focus	5m - Inf.		Filter Size		M77 P=1mm	
	Zoom	15mm - 360mm		Tripod Screw		1/4 -20UNC	
Control	Iris	DC Auto Iris		Dimensions		W101mm x H102.4mm x D221.1mm	
	Focus	Motorized		Weight		2180g	
	Zoom	Motorized					
Angle of View	D	2/3 type	40.2° - 1.8°	1/1.8 type	32.8° - 1.5°	1/2 type	29.4° - 1.3°
	H		32.3° - 1.4°		26.3° - 1.2°		23.6° - 1.0°
	V		24.4° - 1.1°		19.8° - 0.9°		17.8° - 0.8°
	Iris			Focus			Zoom
Supply Voltage	---			DC6V	DC6V		
Current	---			90mA or less	90mA or less		
Response Time	---			Approx. 6.5 sec.	Approx. 6.5 sec.		
Preset Potentiometer	---			5k $\Omega$ VR	5k $\Omega$ VR		
Coil	Drive	190 $\Omega$					
	Control	1000 $\Omega$					
Operating Temperature	-10°C - +50°C						

### Dimensions



### Wiring Diagram

