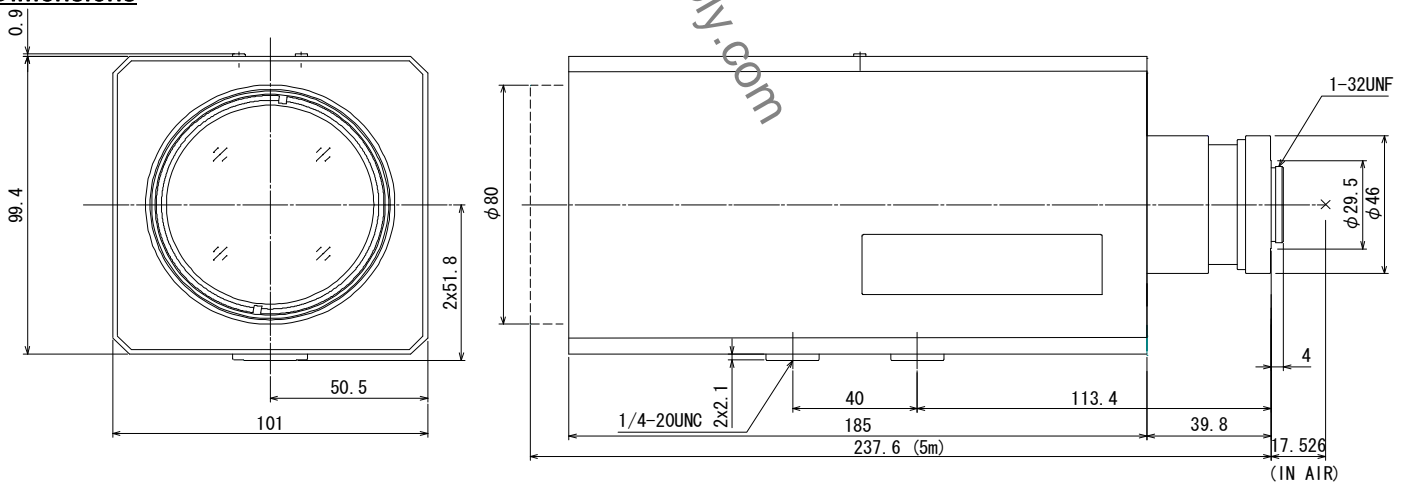


24X 21mm-500mm F3.8
for 2/3 type Megapixel Cameras, Motorized Zoom
C-Mount

Model No.		M24Z2138PDC-MP		Effective	Front	ϕ 66mm	
Focal Length		21mm - 500mm		Lens Aperture	Rear	ϕ 14.5mm	
Max. Aperture Ratio		1:3.8		Back Focal Length		21.3mm	
Max. Image Circle		ϕ 11mm		Flange Back Length		17.526mm	
Operation Range	Iris	F3.8 - F500C		Mount		C-Mount	
	Focus	5m - Inf.		Filter Size		M77 P=1mm	
	Zoom	21mm - 500mm		Tripod Screw		1/4 -20UNC	
Control	Iris	DC Auto Iris		Dimensions		W101mm x H102.4mm x D237.6mm	
	Focus	Motorized		Weight		2240g	
	Zoom	Motorized					
Angle of View	D	2/3 type	29.4° - 1.3°	1/1.8 type	23.6° - 1.0°	1/2 type	21.4° - 0.9°
	H		23.5° - 1.0°		18.9° - 0.8°		17.1° - 0.8°
	V		17.6° - 0.8°		14.2° - 0.6°		12.8° - 0.6°
		Iris	Focus		Zoom		
Supply Voltage		DC6V		DC6V		DC6V	
Current		90mA or less		90mA or less		90mA or less	
Response Time		Approx. 6.5 sec.		Approx. 6.5 sec.		Approx. 6.5 sec.	
Preset Potentiometer		5k Ω VR		5k Ω VR		5k Ω VR	
Coil	Drive	190 Ω					
	Control	1000 Ω					
Operating Temperature		-10°C - +50°C					

Dimensions



Wiring Diagram

PRESET POTENTIOMETER

