

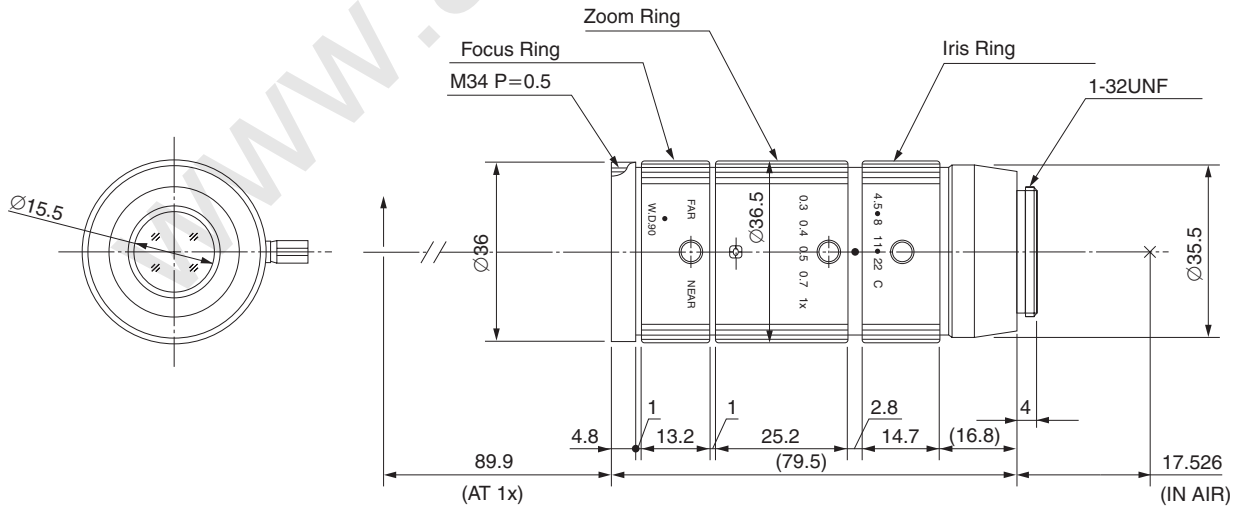
MLM-3XMP

0.3X - 1.0X
for 2/3 type Cameras, Megapixel Macro Zoom
C-Mount

Model No.	MLM-3XMP		Effective	Front	∅15.5mm
Max. Magnification	0.3X - 1.0X		Lens Aperture	Rear	∅7.0mm
Max. Aperture Ratio	1:4.5		Back Focal Length	20.4mm	
Max. Image Format	8.8mm x 6.6mm(∅11mm)		Distortion	2/3 type	0.3X Tele +0.02%(y=5.5) 1.0X Wide +1.78%(y=5.5)
Operation Range	Iris	F4.5 - F22C		1/2 type	0.3X Tele -0.12%(y=4.0) 1.0X Wide +0.77%(y=4.0)
	Focus	90mm	Flange Back Length		
Control	Iris	Manual	Mount		
	Focus	Manual	C-Mount		
	Zoom	Manual	Filter Size		
			M34 P=0.5mm		
			Dimensions		
			∅36.5mm x 79.5mm		
			Weight		
			150g		
Object Dimension at M.O.D.	D	2/3 type	36.7mm - 10.8mm	1/2 type	26.7mm - 10.8mm
	H		29.4mm - 8.7mm		21.4mm - 6.4mm
	V		22.1mm - 6.6mm		16.1mm - 4.8mm
Angle of View	D	2/3 type	14.88° - 2.84°	1/2 type	10.70° - 2.72°
	H		11.80° - 2.78°		8.48° - 2.18°
	V		8.74° - 2.24°		6.38° - 1.64°
Operating Temperature	-20°C - +50°C				

* For CS-Mount camera, please use 5mm adapter ring.
M.O.D. : Minimum Object Distance

Dimensions



Specifications subjected to change without any notice.

For design help, accessories or pricing, please contact:
sales@avsupply or call: 1-858-565-1101