

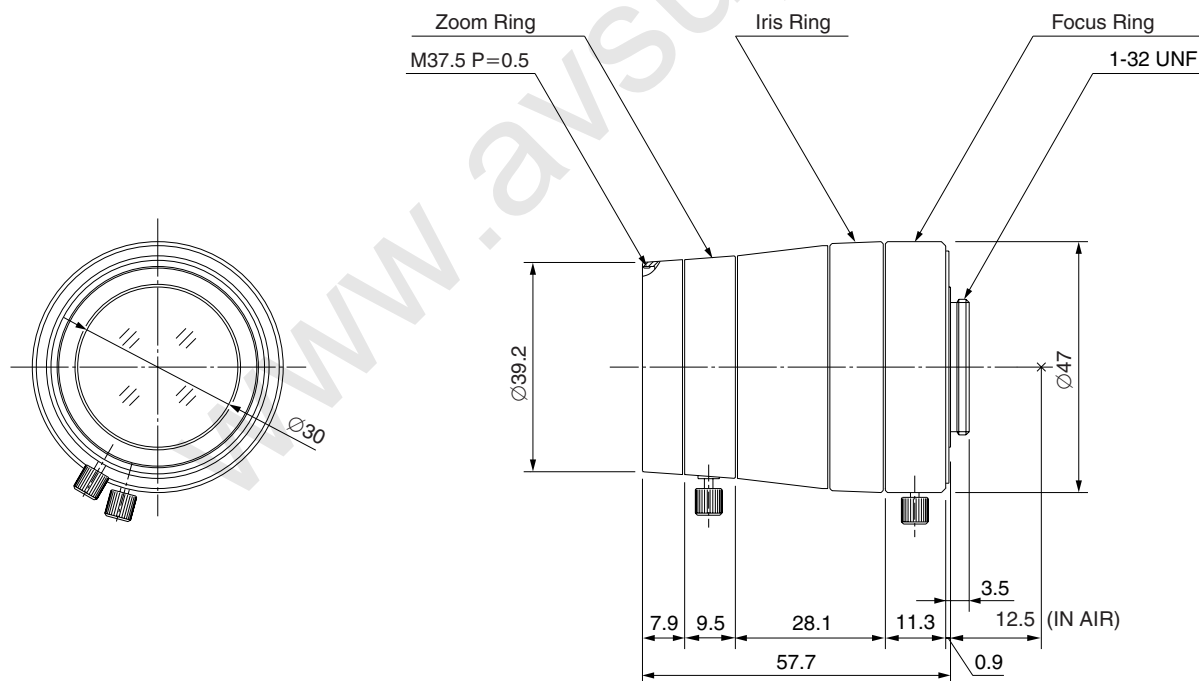
T10Z0513CS-2

10X 5mm - 50mm F1.3
for 1/3 type Cameras, Vari-focal Manual Iris
CS-Mount

Model No.		T10Z0513CS - 2		Effective	Front	Ø29.5mm	
Focal Length		5mm - 50mm		Lens Aperture	Rear	Ø8.7mm	
Max. Aperture Ratio		1:1.3		Back Focal Length	Tele	10.6mm	
Max. Image Format		4.8mm x 3.6mm(Ø6mm)			Wide	10.5mm	
Operation Range	Iris	F1.3 - F16C		Flange Back Length	12.5mm		
	Focus	0.8m - Inf.		Mount	CS-Mount		
	Zoom	5mm - 50mm		Filter Size	M37.5 P=0.5mm		
Control	Iris	Manual		Dimensions	Ø47mm x 57.7mm		
	Focus	Manual		Weight	125g		
	Zoom	Manual					
Object Dimension at M.O.D.	5mm	77.7cm x 57.0cm					
	50mm	7.8cm x 6.0cm					
Angle of View	D	1/3 type	64.0° - 6.9°	1/4 type	48.8° - 5.3°		
	H		51.8° - 5.6°		39.2° - 4.3°		
	V		39.2° - 4.3°		29.5° - 3.2°		
Operating Temperature	-20°C - +50°C						

M.O.D. : Minimum Object Distance

Dimensions



Specifications subject to change without notice.

For design help, accessories or pricing, please contact:
 sales@avsupply or call: 1-858-565-1101