

T5Z8513CS-IR

5X 8.5mm - 40mm F1.3 Day & Night type
for 1/3 type Format Cameras, Vari - Focal, Manual Iris
CS-Mount

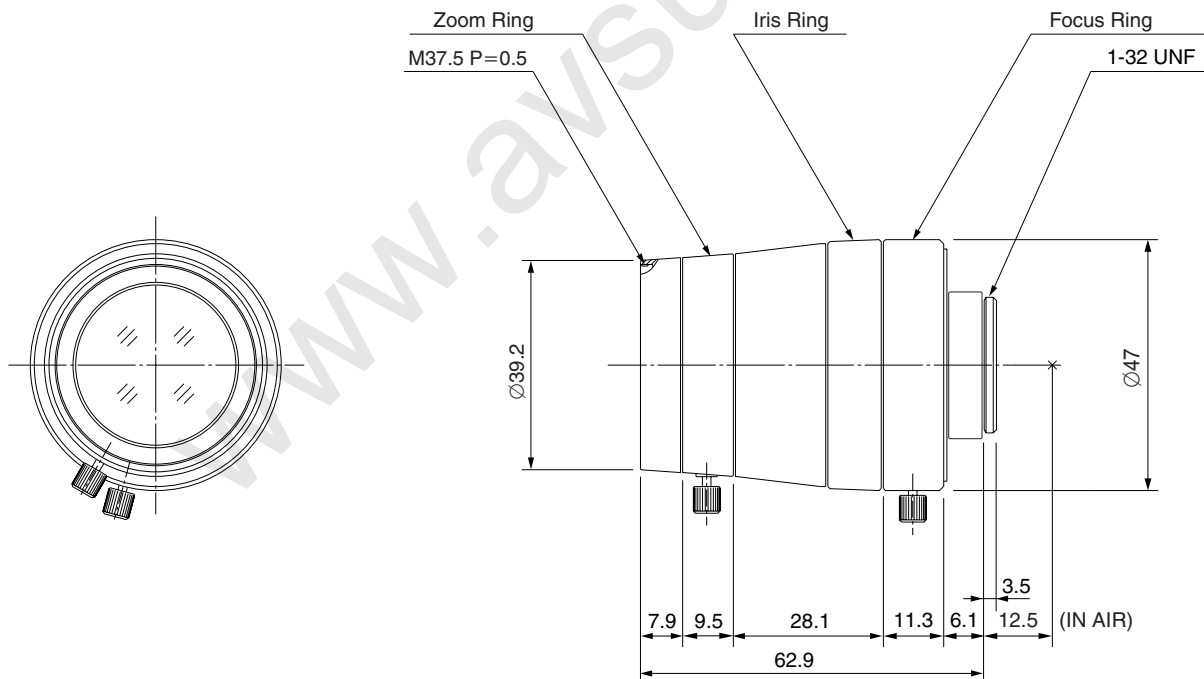
with Focus, w/o Amplifier

Model No.	T5Z8513CS-IR		Effective Lens Aperture	Front	Ø27.0mm	
Focal Length	8.5mm - 40mm		Back Focal Length	Rear	Ø9.3mm	
Max. Aperture Ratio	1:1.3		Mount	Tele	10.6mm	
Max. Image Format	4.8mm x 3.6mm(Ø6mm)			Wide	9.0mm	
Operation Range	Iris	F1.3 - 16C	Filter Size	12.5mm		
	Focus	0.8m - Inf.		CS-Mount		
	Zoom	8.5mm - 40mm		M37.5 P=0.5mm		
Control	Iris	Manual Iris	Dimensions	Ø47.0mm x 62.9mm		
	Focus	Manual		Weight	126g	
	Zoom	Manual				
Object Dimension at M.O.D.	8.5mm	48.1cm x 34.5cm				
	40mm	10cm x 7.5cm				
Angle of View	D	1/3 type	1/4 type	43.9° - 8.9°	31.2° - 6.7°	
	H			33.5° - 7.1°	24.4° - 5.3°	
	V			24.4° - 5.3°	17.4° - 3.8°	
Operating Temperature	-20°C - +50°C					

Operates in both visible and infrared light

M.O.D. : Minimum Object Distance

Dimensions



Specifications subjected to change without any notice.

For design help, accessories or pricing, please contact:
 sales@avsupply or call: 1-858-565-1101