

# T6Z5710AIVD-CS

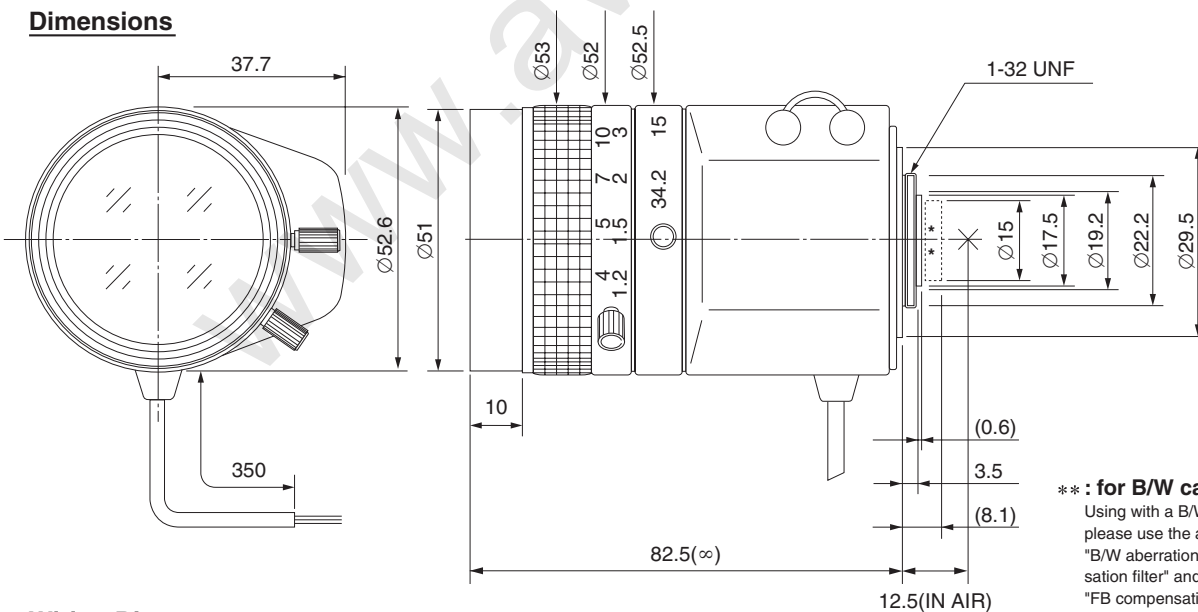
**6X 5.7mm - 34.2mm F1.0**  
**for 1/3 type Cameras, Manual Zoom VIDEO Drive**  
**CS-Mount**

with Amplifier

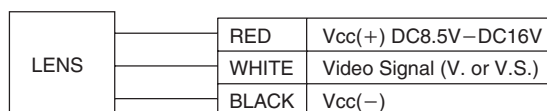
Model No.	T6Z5710AIVD-CS		Effective	Front	∅41.0mm
Focal Length	5.7mm - 34.2mm		Lens Aperture	Rear	∅10.2mm
Max. Aperture Ratio	1:1.0		Back Focal Length	8.5mm	
Max. Image Format	4.8mm x 3.6mm(∅6mm)		Flange Back Length	12.5mm	
Operation Range	Iris	F1.0 - F360C	Mount	CS-Mount	
	Focus	1.2m - Inf.	Filter Size	M49 P=0.75mm	
	Zoom	5.7mm - 34.2mm	Tripod Screw	—	
Control	Iris	Video Auto Iris	Dimensions	W53mm x H64mm x D82.5mm	
	Focus	Manual	Weight	295g	
	Zoom	Manual			
Object Dimension at M.O.D.	5.7mm	101.6cm x 75.2cm			
	34.2mm	17cm x 13cm			
Angle of View	D	1/3 type	56.5° - 10.0°	1/4 type	43.2° - 7.8°
	H		45.9° - 8.1°		34.8° - 6.2°
	V		34.8° - 6.2°		26.2° - 4.8°
Supply Voltage	DC8.5V - DC16V				
Current	Less than 40mA				
Response Time	Approx. 2 sec.				
Light Weighting Method	Adjustable between Average - Peak (to be Set at Average at Factory)				
Input Signal	Video Signal (V. or V.S.)				
Iris Accuracy	±15% at Video Signal Level				
Sensitivity Adjustment	0.5V(p-p) - 1.0V(p-p) (Video Signal)				
Input Impedance	High Impedance				
Operating Temperature	-20°C - +50°C				

M.O.D. : Minimum Object Distance

### Dimensions



### Wiring Diagram



**\*\* : for B/W camera**  
 Using with a B/W camera, please use the attached "B/W aberration compensation filter" and "FB compensation spacer". The filter(M20 P=0.5mm) should be screwed onto the lens from rear side and the spacer should be placed between lens and camera.

Distributed By: Audio Video Supply -- Tel: 1-800-284-2288 -- www.avsupply.com

Specifications subjected to change without any notice.

For design help, accessories or pricing, please contact:  
 sales@avsupply or call: 1-858-565-1101