

Costar

CBC3611IR
CBC3651IR

600 TVL Day/Night Infrared IR Max Outdoor EnviroCam



- Super high 600 TV Lines of resolution
- CBC3611IR is equipped with a 2.8-12 mm lens
- CBC3651IR is equipped with a 5-50 mm lens
- 1/3" Sony Super HAD image sensor
- True day/night with IR cut filter
- Back Light Compensation ((BLC)
- Wide Dynamic Range (WDR)
- Motion detection
- Equipped with 42 IR LEDs with a 250 foot (50M) range
- Split glass technology eliminates IR reflections
- Weatherproof IP66 rated
- Power requirements: DC12V or AC24V



Costar
VIDEO SYSTEMS

101 Wrangler, Suite 201 • Coppell, Texas 75019 • Phone: 469-635-6800 • Fax: 469-635-6822 • Toll Free: 1-888-694-STAR (7827)

www.costarvideo.com

Model	Lens (mm)	Resolution
CBC3611IR	2.8-12 mm	600 TVL
CBC3651IR	5-50 mm	600 TVL

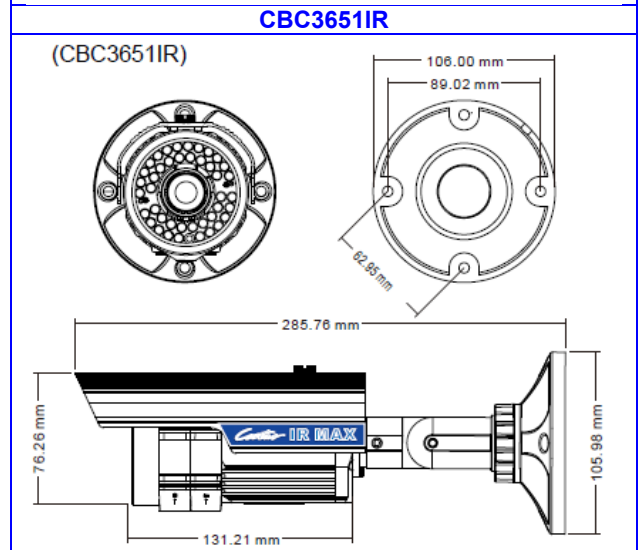
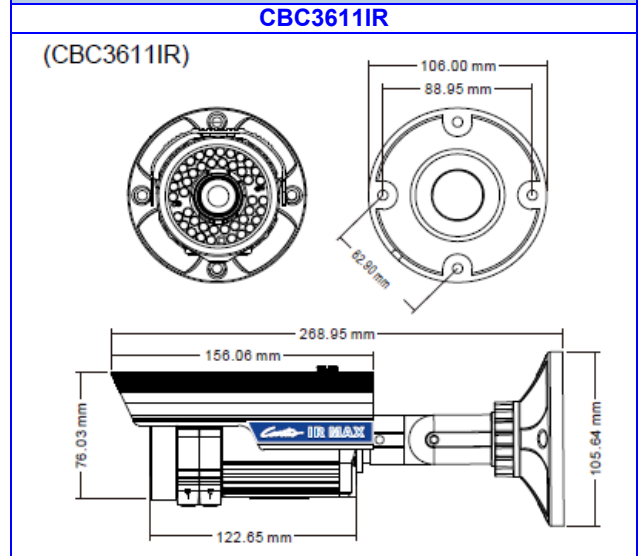
Power	
Power Source	DC12V or AC24V
Power Consumption	550 mA (DC12V LED On)
	220 mA (DC12V LED Off)
	510 mA (AC24V LED On) 160 mA (AC24V LED Off)

Sensor and General Information	
Image Sensor	1/3" Sony Super HAD II
Lens	
CBC3611IR	2.8-12 mm lens
CBC3651IR	5-50 mm lens
Minimum Illumination	0.0 Lux (B&W) 0.05 Lux (Color)
Total Pixels	768 H x 494 V
Horizontal Resolution	600 TVL
IR LEDs	42 IR LEDs 250 foot range
S/N Ratio	More than 52dB (AGC Off)
Video Output	Composite Video 1.0Vp-p/75Ω BNC Connector

Camera Functions	
On Screen Display	Built-in
Day/Night	Yes
DNR	Yes (3D)
WDR	Yes
BLC	Yes
AGC	Yes
Motion Detection	Yes
Mirror	Yes
Privacy Zones	Yes
Digital Zoom	x1~x10
Meximizer	x2~x256

General Operating	
Operating Temperature	-20°F to 122°F (-29°C to 50°C)
Operating Humidity	90% RH Max
Weight	3.33 lbs. (1.5 Kg)
Dimensions	
CBC3611IR	10.59" x Ø4.17" (269 x 106 mm)
CBC3651IR	11.25" x Ø4.17" (286 x 106 mm)

Dimensions



Accessory	Description
CBCJB	Junction Box
CHG2501	Corner Mount
CHG2511	Pole Mount

