

**2 Megapixel Outdoor IR TVI Bullet  
 Remote Focus Lens**



**Description:**

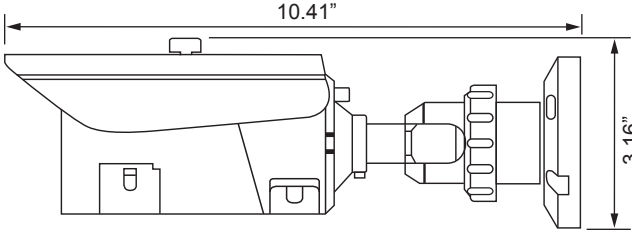
The CBT2S12IFW outdoor bullet camera provides high quality video at 2 megapixel resolution over existing coaxial cable. The infrared LEDs provide illumination for clear image quality at night. The IP66 weatherproof rating makes this dome camera suitable for outdoor applications. Costar's new line of HDTV cameras are compatible with the ET Series DVRs and StarNET Video Management Software. StarNET is the remote access software that allows users to remotely view live and recorded video. StarNET incorporates features such as advanced event notification, map monitoring, system status monitoring and many more.

**Features:**

- 2 Megapixel Resolution
- 1/3" CMOS Image Sensor
- 2.8-12mm Remote Focus and Zoom Lens
- 10 IR LEDs with an 65 feet (20m) Range
- Back Light Compensation (BLC)
- Digital Noise Reduction (DNR)
- Wide Dynamic Range (WDR)
- Up-the-Coax (UTC)
- Weatherproof IP66 Rated
- 12VDC or 24VAC

Model	Lens	Resolution
CBT2S12IFW	2.8-12mm	2 Megapixel

Power	
Source	12VDC or 24VAC
Consumption	4.5 watts (375mA@12VDC)
Sensor and General Information	
Image Sensor	1/3" Panasonic CMOS
Signal System	PAL/NTSC
Resolution (H x V)	1920x1080
Lens Focal Length	2.8-12mm
Iris Control	Auto Iris
Frame Rate	PAL:25fps ,NTSC:30fps
IR LED	10pcs
IR Wavelength	850nm
IR Range	65 Feet (20m) Range
Minimum Illumination	Color:1.0LUX, BW: 0.5 LUX Color:DSS:0.017LUX, BW DSS: 0.0008 LUX
Shutter Speed	PAL:1/50-1/50000, NTSC:1/60-1/60000
S/N Ratio	More than 42dB(AGC off)
Up-the-Coax	Pelco C, UTC (H)
Video Features	
Max Distance	985 Feet (300m)
Video Output	HD-TVI(1080P), HD-AHD(1080P) CVBS(960H)1Vp-p Composite Output(75 Ω /BNC)
Camera Functions	
Auto Gain Control	0-20 steps
Brightness	0-20 steps
Day & Night	Yes, IR Cut Filter
Defog	Yes
Motion Detection	Yes
Digital Noise Reduction	Yes, 3D
Wide Dynamic Range	120dB (WDR)

General Information	
IP Rating	IP66
Humidity	85% RH Max
Temperature	14°F to 131°F (-10°C to 55°C)
Dimensions	3.16" x 10.41" (80.3 x 264.5mm)
Weight	1.653 lbs. (750g)
Approvals	FCC, CE
Dimensions	
	
Accessories	
CDAJB10	Junction Box