

# C2N-IRGW-1G

## IR Gateway, Wall Mount

The C2N-IRGW-1G IR Gateway is a 1-way infrared receiver for Crestron IR wireless handheld remotes and touchpanels. It is also compatible with third-party IR remotes utilizing the RC5 command set.

The C2N-IRGW-1G is designed to fit in a 1-gang electrical box using a decorator style faceplate (not included). Its entire visible face consists of a smoked plastic lens providing a neutral appearance suitable for use with any color scheme. The C2N-IRGW-1G is a Cresnet device compatible with any 2-Series control system.

### SPECIFICATIONS

#### IR Wireless

**IR Frequency :** 36 to 38 kHz IR

**Formats:** Crestron format, RC5

**Range:** Up to 50 ft line of sight (typical), dependent upon angle, obstructions, IR interference, and IR remote signal strength

#### Connectors

**NET:** 4-pin 3.5mm detachable terminal block;

Cresnet slave port, connects to Cresnet control network

#### LED Indicators

(1 red) Indicates IR signal reception, Cresnet network communication, and setup/update functions

#### Controls

(1) Recessed miniature pushbutton for setup

#### Power Requirements

**Cresnet Power Usage :** 1 Watt (0.042 Amps @ 24 Volts DC)

#### Environmental

**Temperature:** 41° to 104°F (5° to 40°C)

**Humidity:** 10% to 90% RH (non-condensing)

#### Enclosure

Injection-molded plastic with smoked plastic face, 1-gang mountable in an electrical box using decorator style faceplate (not included)

#### Dimensions (Without Faceplate)

**Height:** 4.13 in (10.48 cm)

**Width:** 1.75 in (4.45 cm)

**Depth:** 1.37 in (3.45 cm)

#### Weight

2.4 oz (68.0 g)

#### Available Models

**C2N-IRGW-1G:** Wall Mount IR Gateway

#### Available Accessories



**CRESNET-HP-NP-TL-SP1000:** Cresnet® "High-Power" Control Cable, non-plenum, teal, 1000 ft spool

**CRESNET-HP-NP-TL-SP500:** Cresnet® "High-Power" Control Cable, non-plenum, teal, 500 ft spool

**CRESNET-NP-BK-B500:** Cresnet® Control Cable, non-plenum, black, 500 ft box

**CRESNET-NP-OR-B500:** Cresnet® Control Cable, non-plenum, orange, 500 ft box

**CRESNET-NP-TL-B250:** Cresnet® Control Cable, non-plenum, teal, 250 ft box

**CRESNET-NP-TL-B500:** Cresnet® Control Cable, non-plenum, teal, 500 ft box

**CRESNET-NP-TL-SP1000:** Cresnet® Control Cable, non-plenum, teal, 1000 ft spool

**CRESNET-NP-TL-SP500:** Cresnet® Control Cable, non-plenum, teal, 500 ft spool

**CRESNET-NP-YL-B500:** Cresnet® Control Cable, non-plenum, yellow, 500 ft box

**CRESNET-P-BK-SP500:** Cresnet® Control Cable, plenum, black, 500 ft spool

**CRESNET-P-OR-SP500:** Cresnet® Control Cable, plenum, orange, 500 ft spool

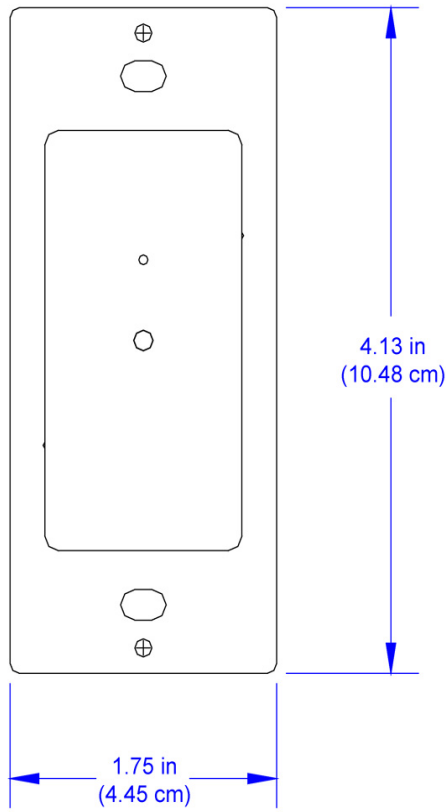
**CRESNET-P-TL-SP1000:** Cresnet® Control Cable, plenum, teal, 1000 ft spool

**CRESNET-P-TL-SP500:** Cresnet® Control Cable, plenum, teal, 500 ft spool

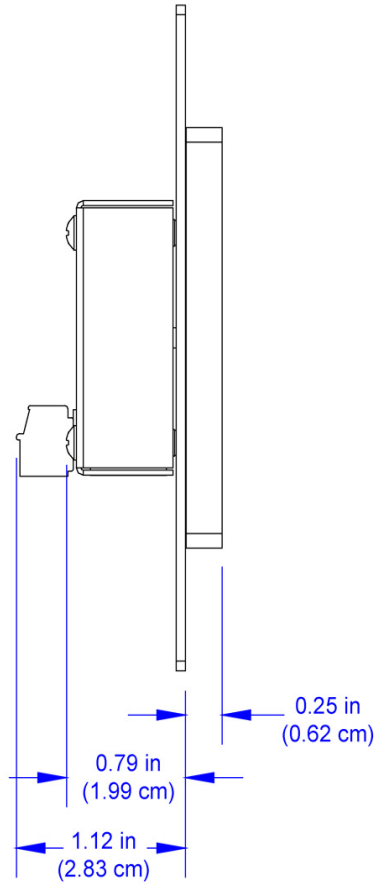
**CRESNET-P-YL-SP500:** Cresnet® Control Cable, plenum, yellow, 500 ft spool

# C2N-IRGW-1G IR Gateway, Wall Mount

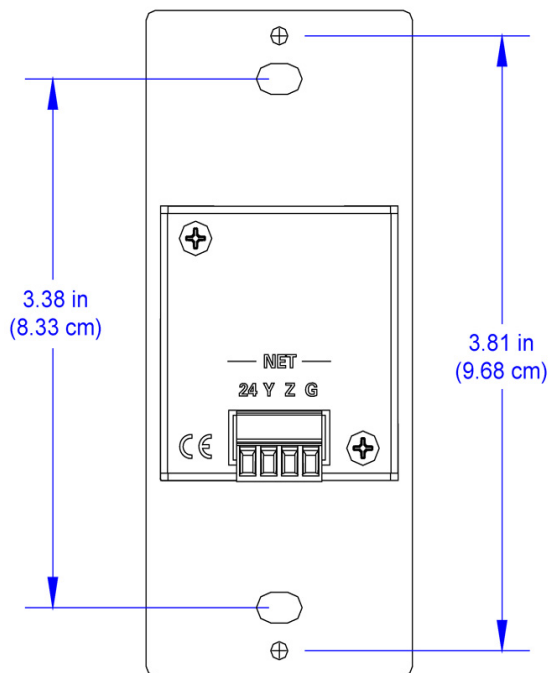
### Front View



### Side View



### Rear View



### Top View

