

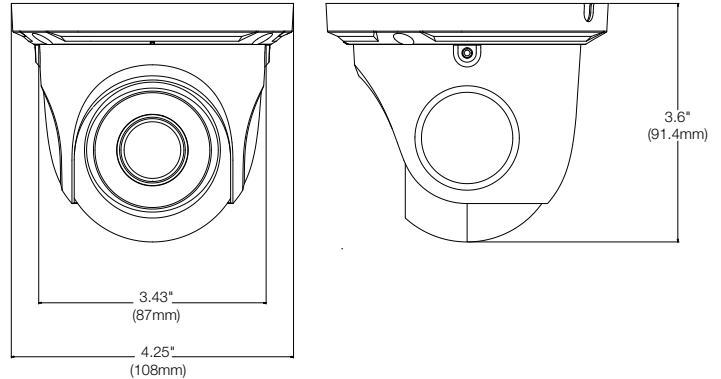


UNIVERSAL  
HD COAX  
+  
UTC

**5MP** at 20fps Universal HD / Analog **30fps** at 4MP Resolution Digital WDR IP66 Rated **5 YEAR** Warranty

### Dimensions

unit: Inch (mm)



### Summary

Universal HD over Coax® 5MP cameras deliver crystal-clear images and support HD-Analog, HD-TVI and HD-CVI signals and analog signals up to 960H. The weather resistant turret cameras are IP66 rated and can be controlled via the same coax cable using UTC. All DW® HD over Coax™ cameras are engineered to work with our VMAX® A1 Plus™ HD over Coax™ DVRs using your existing coax infrastructure for a cost effective, high resolution surveillance solution.

### Features

- Universal HD over Coax® Technology supports HD-Analog, HD-TVI, HD-CVI and all analog to 960H signals
- 5MP 1/2.7" image sensor at 20fps / 4MP at real-time 30fps
- 2.8mm fixed lens
- Digital Wide Dynamic Range (D-WDR)
- OSD control via Coaxial (UTC)
- 100' range IR
- 3D digital noise reduction
- True day/night with mechanical IR cut filter
- Auto gain control (AGC)
- Backlight compensation (BLC)
- Auto white balance (AWB)
- IP66 certified weather and tamper resistant
- 5 year warranty

### Specifications

IMAGE	
Image sensor	5MP 1/2.7" CMOS sensor
Active pixels	2592(H) x 1944(V)
Scanning system	CMOS line-by-line
Frequency	60Hz/50Hz
Signal technology	Universal HD over Coax® Technology supports HD-Analog, HD-TVI, HD-CVI and all analog to 960H signal
Resolution	5MP: 2560 x 1936 @ 20fps 4MP: 2560 x 1440 @ 30fps
Minimum scene illumination	0.01 lux (color) 0 lux (B&W)
Video output	HD-Analog, HD-TVI and HD-CVI 5MP at 20fps, 4MP at 30fps Analog up to 960H at 30fps
LENS	
Focal length	2.8mm, F1.2
Lens type	Fixed lens
Field of view (FoV)	91°
IR distance	100ft range
OPERATIONAL	
Shutter mode	Auto, manual
Shutter speed	1 / 60s ~ 1 / 100000s
Backlight (BLC)	Yes
Wide Dynamic Range (WDR)	D-WDR
3D digital noise reduction	Digital noise reduction
White balance	Yes
Day / night	True day/night
Mirror / flip	Yes
Auto gain control	Auto
Sharpness	Yes
Up the Coax (UTC) camera control	UTC camera control
ENVIRONMENTAL	
Operating temperature	-22°F ~ 122°F (-30°C ~ 50°C)
Operating humidity	10% ~ 90% humidity
IP rating	IP66 certified weather and tamper resistant
Other certifications	CE, FCC, RoHS
ELECTRICAL	
Power requirements	DC12V
Power consumption	IR ON : < 4W IR OFF : < 1W
MECHANICAL	
Material	Metal turret housing
Dimensions	3.6" x 4.25" inch (91.4 x 108mm)
Weight	0.94 lb (0.427kg)

### Accessories (Optional)



DWC-MTTWM  
Wall mount



DWC-MTTCMJ  
Ceiling mount and  
junction box



DWC-MTTJUNC  
Junction box

