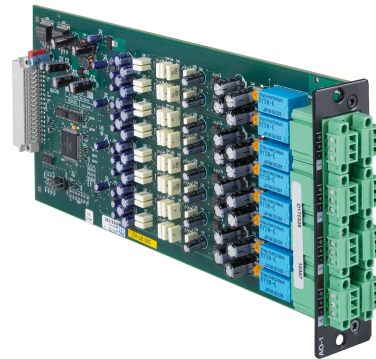


AO-1 Analog Output Module



- 118 dB dynamic range – for best audio performance
- 100 Ω balanced output drivers - lossless signal distribution to several inputs, even over longer cables
- Output relays - power-on delay and quick disconnection for effective suppression of power-on/-off noise. Automatic control of parallel-wired redundant systems
- Automatic configuration – indication (message) of installation and removal of modules via IRIS-Net software
- EN 54-16: 2008

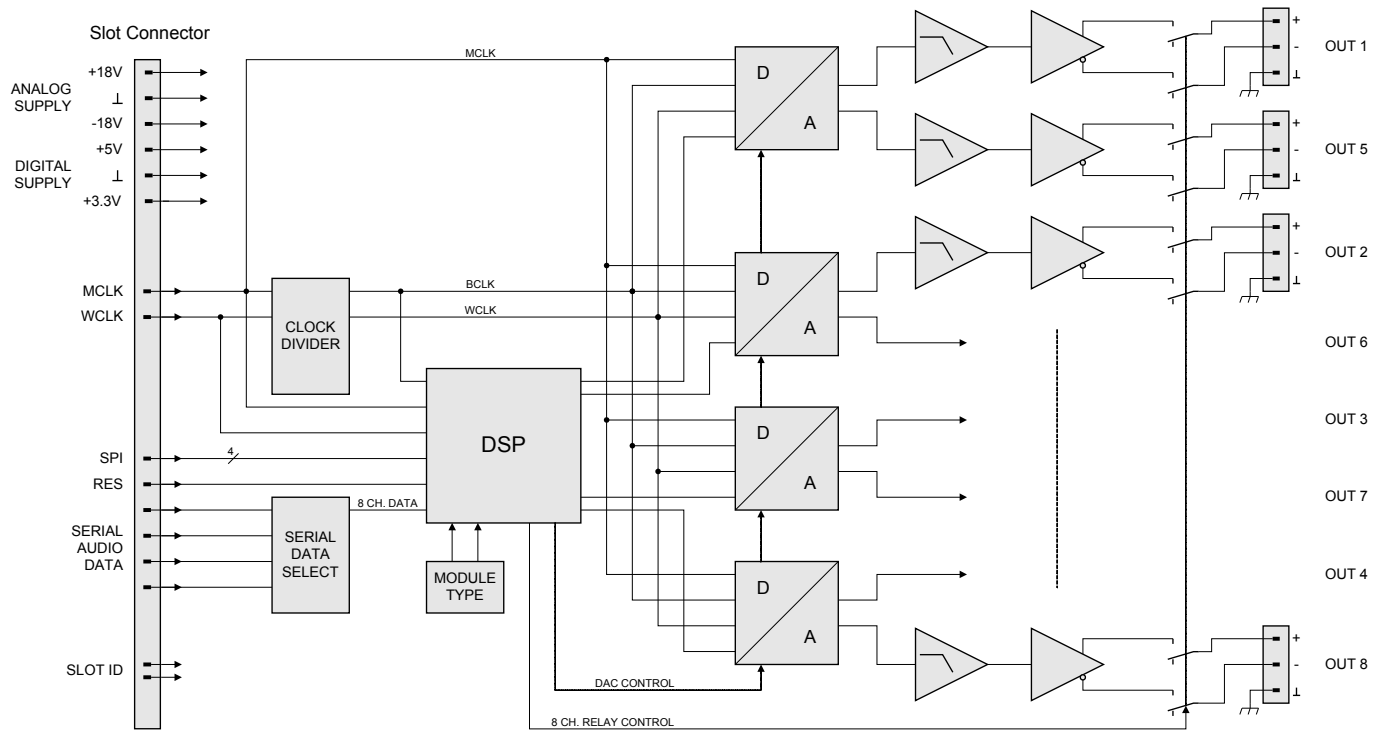
The AO-1 is an eight-channel analog output module for use in an Electro-Voice N8000 system. The module offers eight high quality audio signals via screw-lockable Euroblock connectors. A-to-D conversion is taken care of by high performance linear 24-bit converters. Internally the signals are processed in 48-bit word length.

Technical specifications

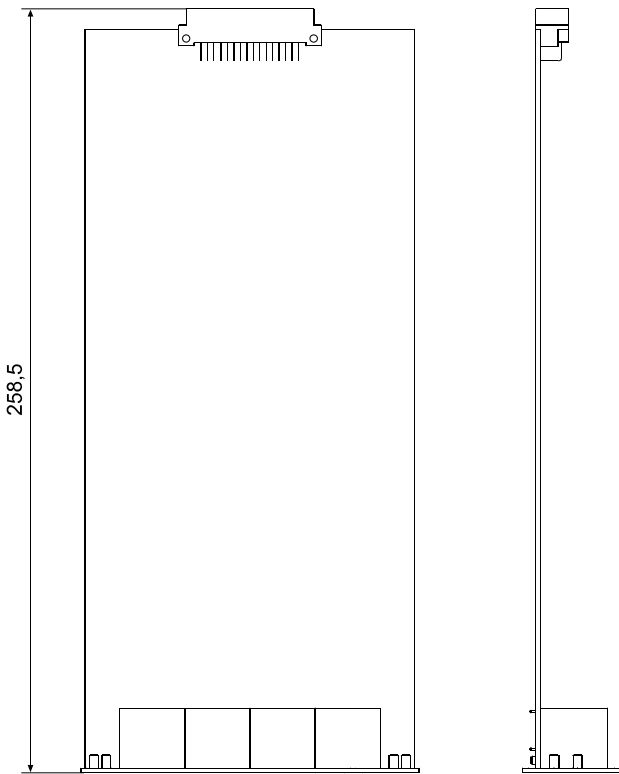
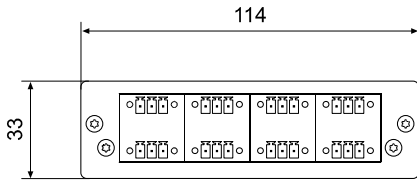
| | |
|---------------------------------|---|
| Supply voltage/current | +3.3 V DC, ±0.3 V / 140 mA +5 V DC, ±0.25 V / 190 mA +18 V DC, ±0.5 V / 270 mA -18 V DC, ±0.5 V / 160 mA |
| Audio outputs | 8 x 3-pole Euroblock connectors, electronically symmetric |
| Output level (nominal) | +6 dBu / 1.55 V |
| Output level (max. before clip) | +21 dBu / 8.7 V |
| Output impedance | 100 kΩ |
| Min. load impedance | 600 kΩ |
| D/A conversion | 24 Bit, Sigma-Delta, 128 times oversampling |
| Frequency response | 20–20000 Hz (-0.5 dB) |

| | |
|---|---|
| Signal-to-noise ratio (A-weighted) | 118 dB typical |
| THD+N | < 0.005% |
| Sample rate | 48 kHz |
| Data format | 24 Bit linear D/A conversion, 48 Bit processing |
| Signal delay | 30 Samples = 625 μs at 48 kHz |
| Environmental rating | E1, E2, E3 |
| Operating temperature | 0 °C to 40 °C |
| Product dimensions (Width x Height x Depth) | 114 x 33 x 258.5 mm |
| Net weight | 260 g |

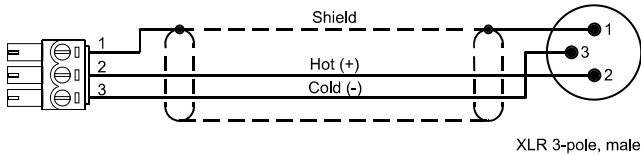
2 | AO-1 Analog Output Module



Circuit diagram



Dimensions



XLR 3-pole, male

Interconnection cord Euroblock - to - XLR for AO-1 audio outputs

Certifications and approvals

EN 54-16: 2008

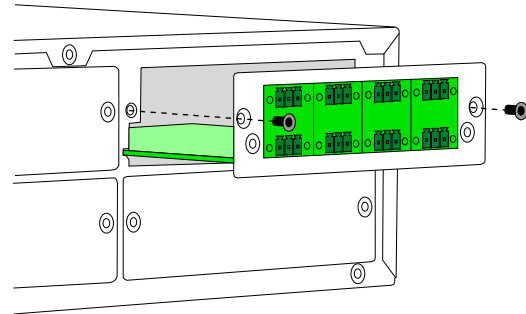
Represented by:

Bosch Sicherheitssysteme GmbH
Robert-Bosch-Ring 5
85630 Grasbrunn
Germany

www.electrovoice.com

Installation/configuration notes

1. Turn off the power of the unit and pull the mains plug
2. Remove the blind on the rear panel (2 screws)
3. Insert the AO-1 module in the desired slot and secure it with 2 screws on the rear panel (see picture)
4. Plug in the mains cord and turn the unit's power on
5. The unit automatically recognizes the AO-1 module. Eight additional audio outputs can now be used.



Parts included

| Quantity | Components |
|----------|--|
| 1 | AO-1 module |
| 8 | Euroblock connector 3-pole (Phoenix MC 1,5/ 3-STF-3,81, Nr. 1827716) |
| 2 | Screw combination TORX M3x6 |
| 1 | Data sheet |

TORX is a registered trademarks of Acument Intellectual Properties, LLC.

Ordering information

AO-1 Analog Output Module

8 Channel analog line level output card, 100 MIPS DSP onboard

Order number **F.01U.101.214**