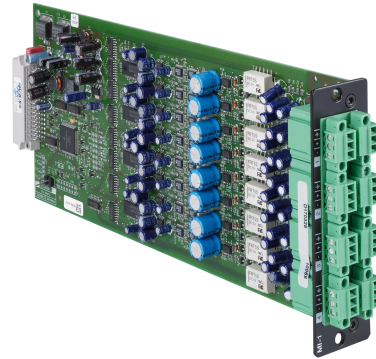


# MI-1 Microphone Input Module



- 118 dB dynamic range – for best audio performance
- Balanced inputs – high common mode rejection prevents long cables from picking up interference
- Gain, PAD, Phantom Power - Input gain in 6 dB steps, PAD for switching input to line level, switchable +48 V phantom power
- Automatic configuration – indication (message) of installation and removal of modules via IRIS-Net software
- EN 54-16: 2008

The MI-1 is an eight-channel microphone input module for use in an Electro-Voice N8000 system. Microphone signals are connected via screw-lockable Euroblock connectors. A-to-D conversion is taken care of by high performance linear 24-bit converters. Internally the signals are processed in 48-bit word length. Up to three MI-1 can be used simultaneously in a N8000 .

## Technical specifications

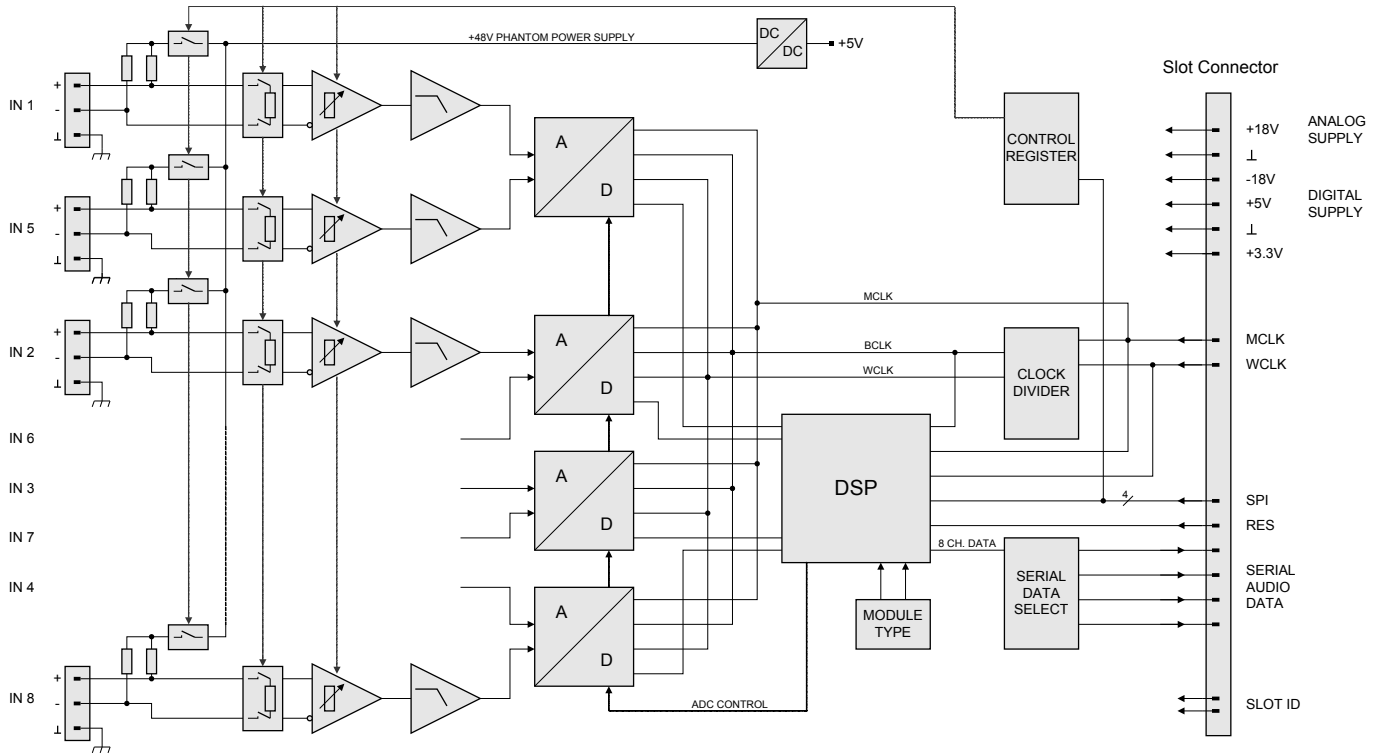
Supply voltage/current	+3.3 V DC, ±0.3 V / 180 mA +5 V DC, ±0.3 V / 1 A +18 V DC, ±0.5 V / 400 mA -18 V DC, ±0.5 V / 150 mA
Audio inputs	8 x 3-pole Euroblock connectors, electronically symmetric
Input level (nominal)	+6 dBu / 1.55 V
Input level (max. before clip)	
• Microphone	+21 dBu / 8.7 V
• Line	+39 dBu / 69 V
Input sensitivity (6 dBu Output, Input Level Control +18 dB)	
• Microphone	-72 dBu / 195 µV
• Line	-54 dBu / 1.55 mV
Input impedance	

• Microphone	2 kΩ
• Line	8 kΩ
Common mode rejection (1 kHz)	
• Microphone	> 75 dB
• Line	> 60 dB
Equivalent Input Noise (EIN)	-129 dBu (A-weighted, 150 Ω source)
Phantom power	+48 V / 10 mA, independently switchable per channel
A/D conversion	24 Bit, Sigma-Delta, 128 times oversampling
Frequency response	20–20000 Hz (-0.5 dB)
Signal-to-noise ratio (A-weighted)	118 dB typical
THD+N	< 0.005%
Sample rate	48 kHz
Data format	24 Bit linear A/D conversion, 48 Bit processing
Signal delay	66 Samples = 1.375 ms at 48 kHz
Electromagnetical environment	E1, E2, E3
Operating temperature	0 °C to 40 °C

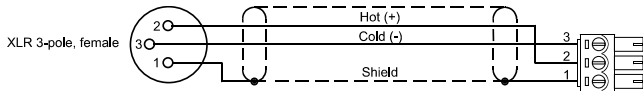
## 2 | MI-1 Microphone Input Module

Product dimensions (Width x Height x Depth) 114 x 33 x 258.5 mm

Net weight 250 g

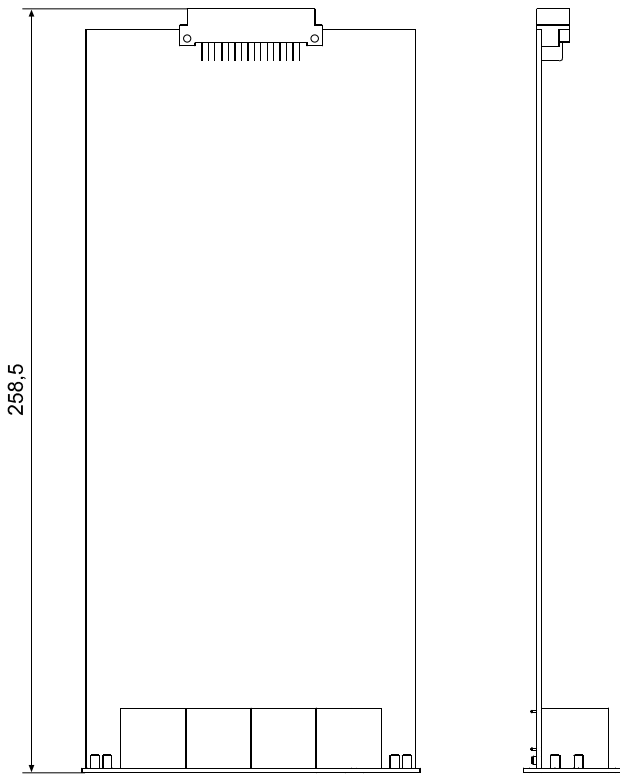
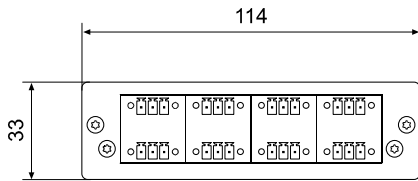


Circuit diagram



Interconnection cord XLR - to - Euro block for MI-1 audio inputs

### 3 | MI-1 Microphone Input Module



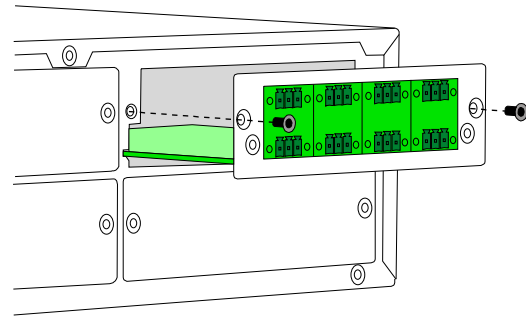
Dimensions

## Certifications and approvals

EN 54-16: 2008

## Installation/configuration notes

1. Turn off the power of the unit and pull the mains plug
2. Remove the blind on the rear panel (2 screws)
3. Insert the MI-1 module in the desired slot and secure it with 2 screws on the rear panel (see picture)
4. Plug in the mains cord and turn the unit's power on
5. The unit automatically recognizes the MI-1 module. Eight additional microphone inputs can now be used.



### Notice!

Phantom power



Up to three MI-1 modules can be used simultaneously in one N8000. The overall current for phantom powered microphones is limited to 90 mA.

## Parts included

Quantity	Components
1	Engineering Data Sheet MI-1
1	MI-1 module
8	Connector 3-pole, Phoenix MC 1.5/3-STF-3.81 (Nr. 18 27 71 6)
2	Screws Combination Torx M3x6

## Ordering information

### MI-1 Microphone Input Module

8 Channel Mic/Line input card, w/ programmable preamp gain & phantom power,  
Order number **F.01U.101.213**

## 4 | MI-1 Microphone Input Module

**Represented by:**

Bosch Sicherheitssysteme GmbH  
Robert-Bosch-Ring 5  
85630 Grasbrunn  
Germany

[www.electrovoice.com](http://www.electrovoice.com)