

RCM-810



- Enable powerful control and supervision capabilities
- Integrate up to 100 devices in each remote control network, 250 with multiple networks
- Freely programmable control inputs and outputs
- Load-monitoring for each channel
- EN 54-16: 2008



The RCM-810 Remote Control Module is an optional module for supervision and remote control of power amplifiers.

RCM-810 modules allow the amplifiers to be integrated into a remote control network with up to 100 devices. Up to 250 amplifiers can be used in an IRIS-Net project when multiple networks are used. Apart from the network port, the RCM-810 also offers freely programmable control inputs and control outputs.

Additional RCM-810 features:

- Control/Configuration:
- Power ON/OFF
- Power On Delay
- Mute
- Control Inputs/Outputs

Supervision/Status indicators:

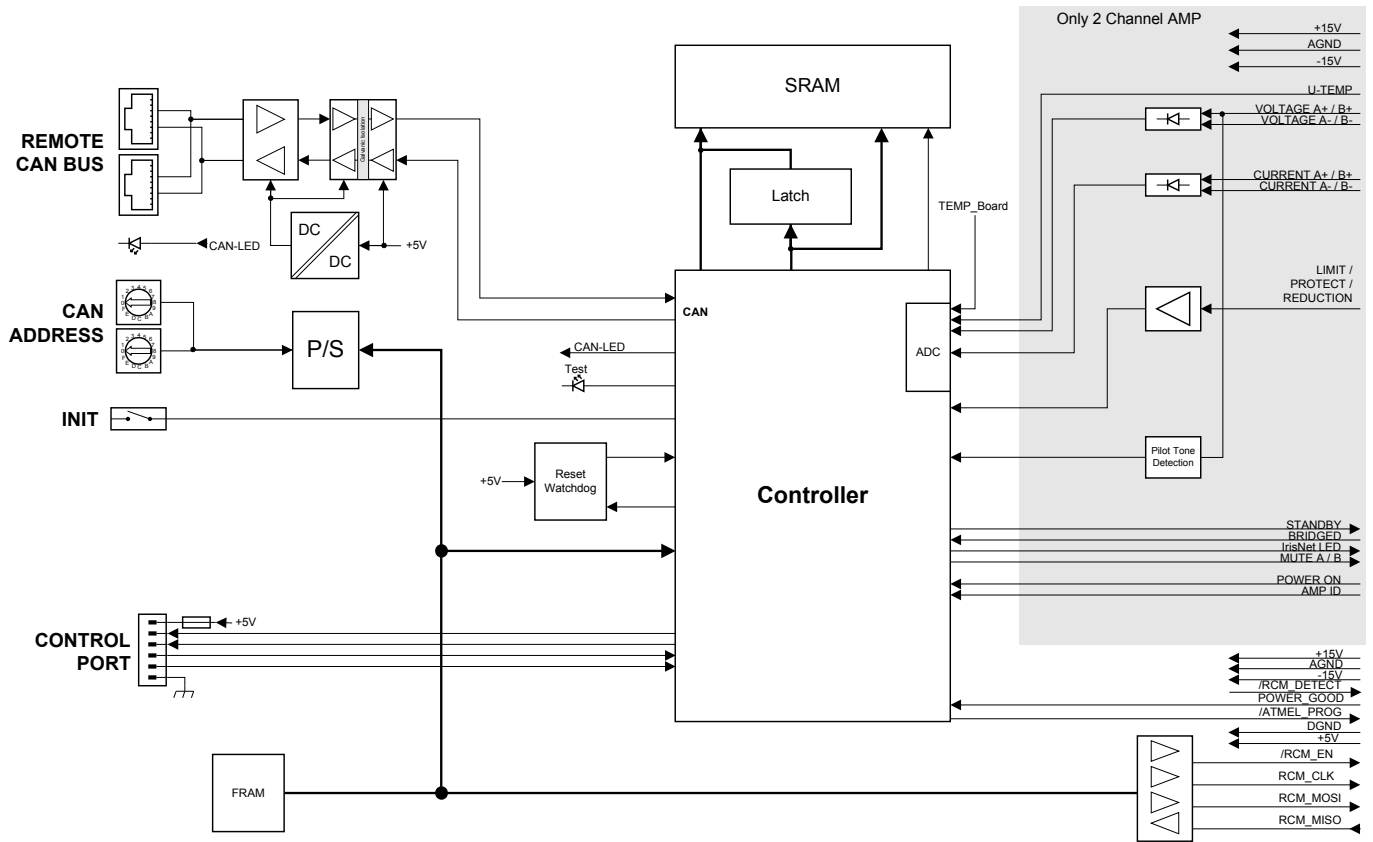
- Load supervision for each amplifier channel
- Output VU
- Protect
- Limit
- Pilot tone
- Temperature
- Gain/Sensitivity
- Control Inputs/Outputs

For further details please check the owner's manual of the amplifier which the RCM-810 will be used in.

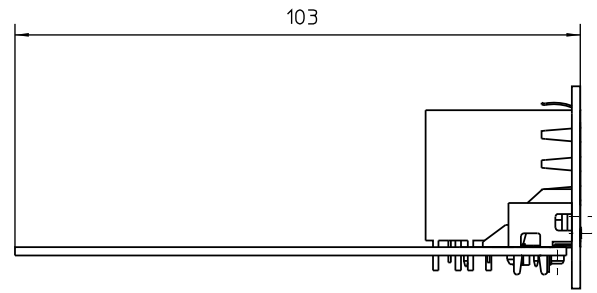
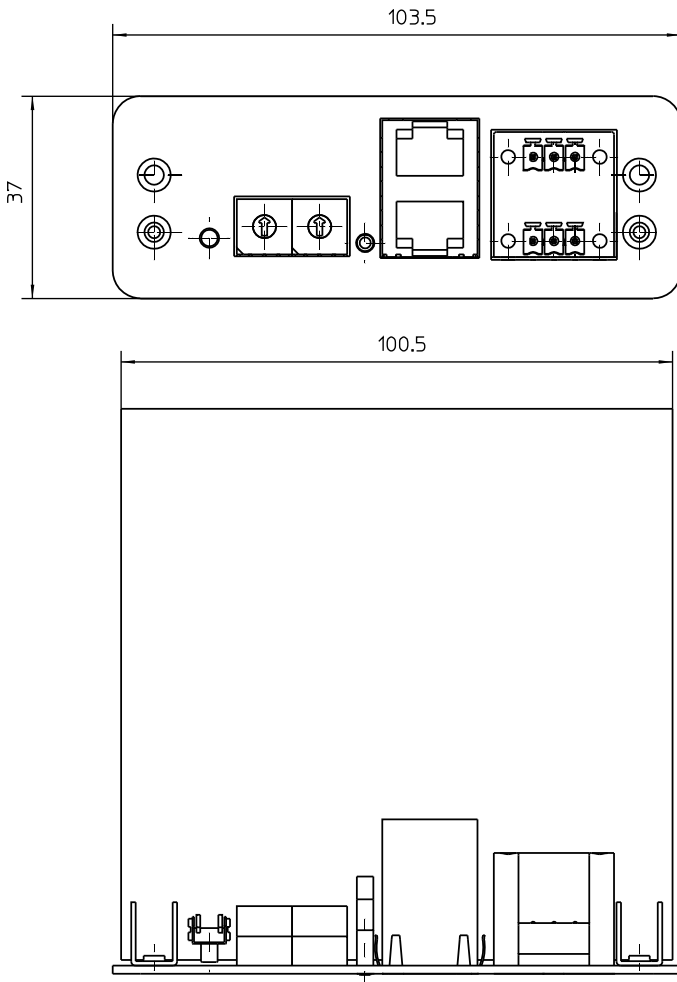
Technical specifications

| | |
|-----------------------------|---|
| Remote control and software | IRIS-Net, Multiple PCs possible, MS Windows 2000, XP, Vista, 7, 8 |
| Maximum configuration | 250 Amplifiers in total, 100 Amplifiers per CAN bus, 1000 meter cable run |
| Amplifier supervision | Operation mode, temperature, output voltage and current, impedance of connected speakers, protection mode status, pilot tone detection |
| Network supervision | CAN bus failures, defective or missing amplifiers, bandwidth, failure protocol and messaging |
| CAN interface | 10–500 kbaud, 2 x RJ-45 (IRIS-Net Control) |
| GPIO control port | 2 x 3-pole Euro block <ul style="list-style-type: none"> • 2 Control Inputs • 2 Control Outputs (max. 18 V / 250 mA per output) • 2 Reference Outputs (+5 V, 200 mA / GND) |
| Supply voltage/current | +5 V DC / 320 mA +15 V DC / 80 mA -15 V DC / 80 mA |

| | |
|---|---------------------|
| Power consumption | 4 W |
| Electromagnetical environment | E1, E2, E3 |
| Operating temperature | 0 °C to 40 °C |
| Product dimensions (Width x Height x Depth) | 103.5 x 37 x 103 mm |
| Net weight | 115 g |



Circuit diagram



Dimensions

Installation/configuration notes

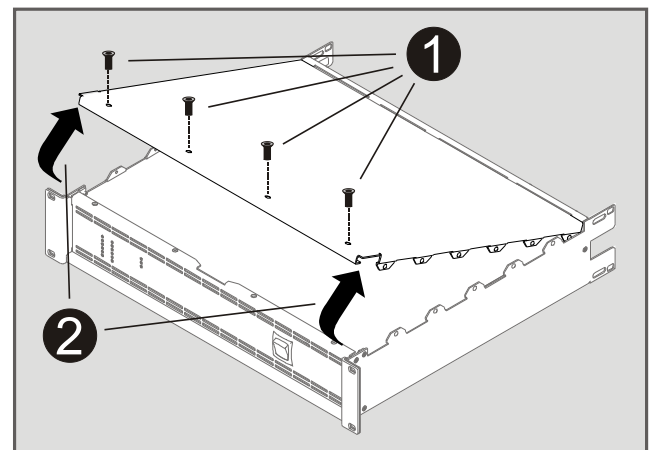
Installation (dual-channel amplifier)

Danger!

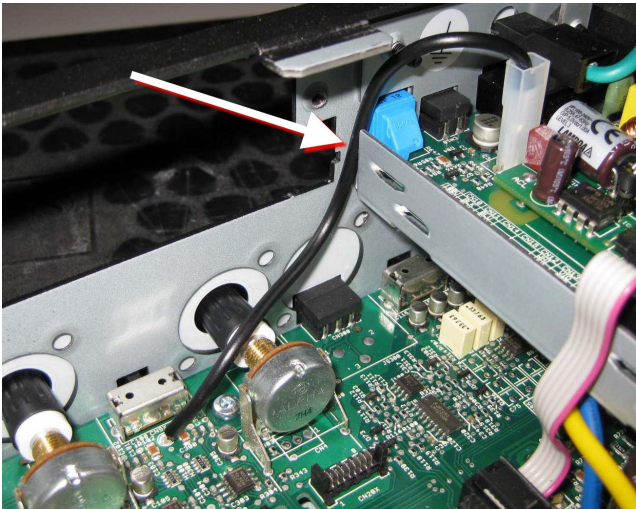


These installation instructions are for use by qualified service personnel only. To reduce the risk of electric shock do not perform any servicing other than that contained in the owner's manual unless you are qualified to do so.

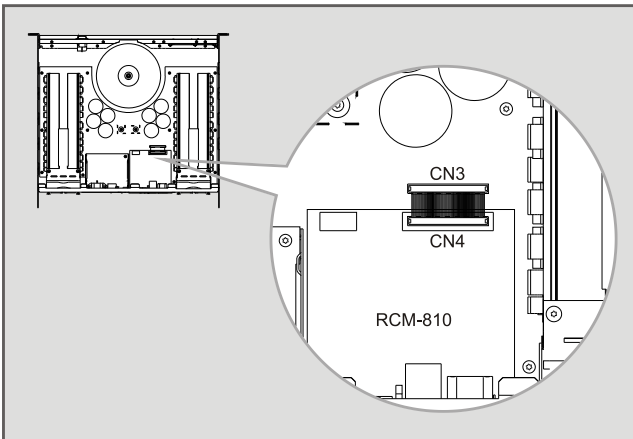
1. Switch off the power to the amplifier and remove the mains lead.
2. Remove the 4 screws (1) from the top cover of the amplifier.



3. Loosen the top cover as shown (2) and remove it by pulling it out towards the front panel
4. Remove the cover panel from the rear panel (2 screws)
5. Lay the black cable as shown in following illustration.



6. Slide the RCM-810 module into the slot and secure it in place using the 2 screws
7. Gently push the 60 mm ribbon cable into the connector labelled CN4 on the RCM-810 and the connector labelled CN3 on the amplifier main board (see illustration below)



8. Refit the top cover
9. Set the module's CAN address using the ADDRESS selector switches
10. Connect the interfaces required (CAN, Control Port)
11. Reconnect the mains lead and switch the amplifier on, the RCM-810 is automatically detected and is now ready for use

Installation (multi-channel amplifier)

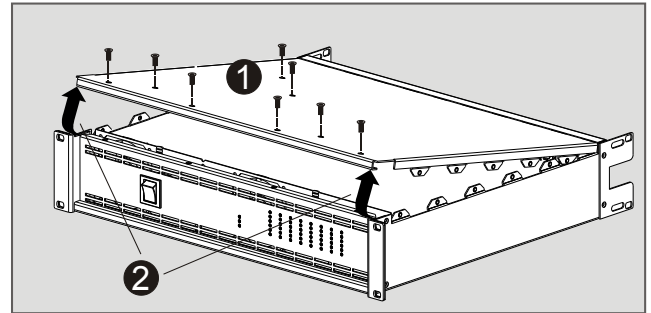
Danger!



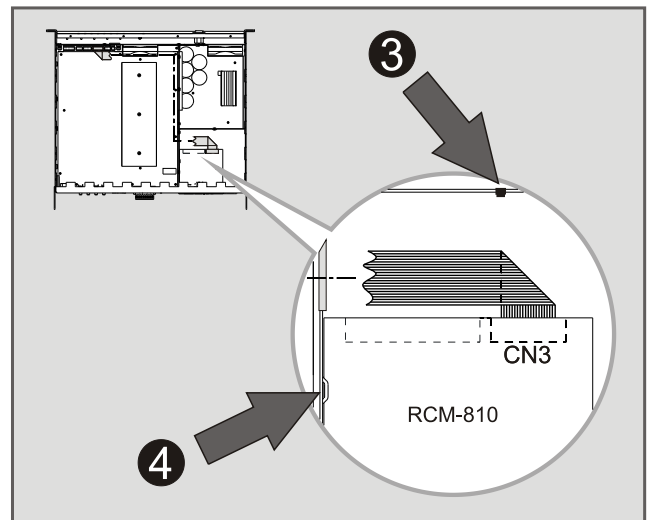
These installation instructions are for use by qualified service personnel only. To reduce the risk of electric shock do not perform any servicing other than that contained in the owner's manual unless you are qualified to do so.

1. Switch off the power to the amplifier and disconnect the mains lead

2. Remove the 8 screws (1) from the bottom cover of the amplifier



3. Loosen the bottom cover as shown (2) and remove it by pulling it out towards the front panel
4. Remove the cover panel from the rear panel (2 screws)
5. Release the 16-pole ribbon cable by cutting the tie wrap (3)



6. Insert the RCM-810 module into the slot
7. Plug the 16-pole ribbon cable into the connector labelled CN3 on the RCM-810 module
8. Slide the module into place locating it into the guide slot (4) on side of the chassis and secure it in place using the 2 screws
9. Refit the bottom cover making sure the ribbon cable will not be damaged
10. Set the module's CAN address using the ADDRESS selector switches
11. Connect the interfaces required (CAN, Control Port)
12. Reconnect the mains lead and switch the amplifier on, the RCM-810 is automatically detected and is now ready for use

Parts included

| Quantity | Components |
|----------|-------------------------------|
| 1 | RCM-810 |
| 1 | Ribbon cable (34-pole, 60 mm) |

| Quantity | Components |
|----------|---|
| 1 | Euroblock connector 6-pole (Phoenix, MC 1,5/6-STF-3,81, 1827745, F.01U.104.179) |
| 4 | Screw M3x10, combination TORX |
| 1 | Data sheet |

TORX is a registered trademarks of Acument Intellectual Properties, LLC.

Ordering information

RCM-810

RCM-810 Remote Control Module for IRIS-Net
Order number **F.01U.101.277**

Represented by:

Bosch Sicherheitssysteme GmbH
Robert-Bosch-Ring 5
85630 Grasbrunn
Germany

www.electrovoice.com