


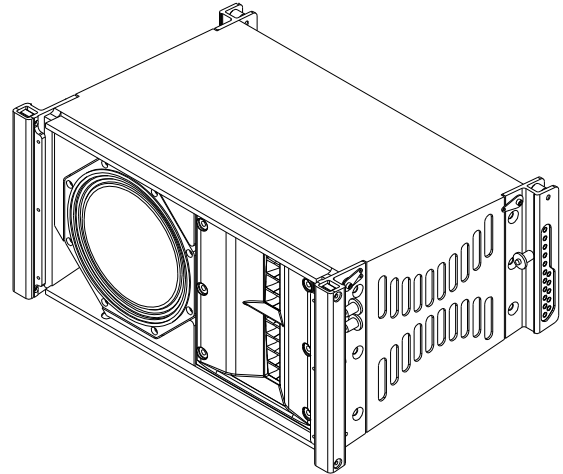


XLE181
2-Way, High-Output,
Very Compact
Line-Array Element



Key Features:

- **Very Compact, Lightweight**
- **Simple, Quick Integrated Rigging**
- **120° Horizontal Coverage**
- **Versatile Subwoofer Integration**
- **Bi-Amp or Full-Range Operation**
- **Neodymium Transducers**
- **LAPS Aiming and Flying Software**



General Description:

The XLE181 is a 2 –way using a single 8" neodymium LF transducer and two neodymium 2" voice coil compression drivers combining through 2 hydra® plane wave generators into a 120° x 10° waveguide. The XLE181 can be used in bi-amp or full-range modes using a sophisticated internal passive network. Designed for use in arrays of four or more elements. The XLE181 delivers full bandwidth audio with precise, predictable coverage control. Integrated rigging with hinge points located correctly between array elements is simple to use and quickly provides uncompromised line array performance. Groundstacking is easily done by using EV's XGS-4 Groundstack Kit for XLVC.

The XLVC family consists of two full-range systems with dual woofers, two full-range systems with single woofers and a subwoofer system. The dual-woofer versions include the XLD281 with a 120° horizontal coverage pattern and the XLD291 with a 90° horizontal coverage pattern. The single-woofer versions include the XLE181 with a 120° horizontal coverage pattern and the XLE191 with a 90° horizontal coverage pattern. The subwoofer module is the XS212. Most applications using flown very compact elements require subwoofers integrated into the same array as the full range systems. The XS212 sub woofer arrays can be created and flown behind the XLE181 full range array using an additional grid and EV's CBEAM (Coupler Beam). LAPS modeling software quickly provides array configurations and rigging information.

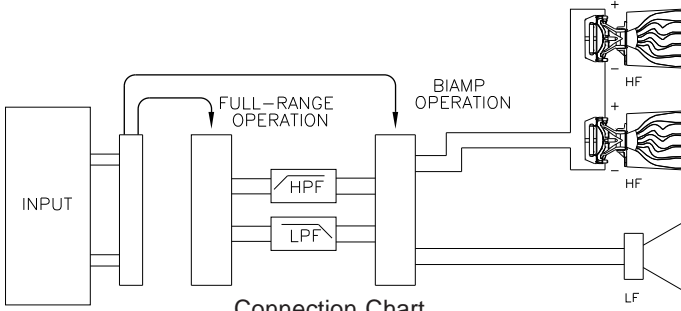
X-Line Very Compact delivers unprecedented performance in applications ranging from live reinforcement to performing arts venues, to houses of worship.

Technical Specifications:

Freq. Response ¹ (-3 dB):	90 Hz-18 kHz
Freq. Range ¹ (-10 dB):	75 Hz-20 kHz
Max Calculated SPL ² :	143 dB Cont., 149 dB Pk
Horizontal Coverage:	120°
Vertical Coverage:	Array Dependant, Software Definable
Rigging:	Fully Captive Aluminum, 1° increments, 16 elements with 8 to 1 Safety Factor
LF Power Handling:	200W Cont., 800W Peak
HF Power Handling:	80W Cont., 320W Peak
LF to HF Crossover Freq ³ :	1760 Hz
LF Passband:	1 x 8" DVN2080, 16 ohms
Recommended Amplifier:	EV CP3000S
HF Passband:	2 x ND2S-8, 16 ohms
Recommended Amplifier:	EV CP3000S
Connectors:	2 x NL8
Enclosure Material:	Birch plywood w/EVCoat™
Grille:	Zinc plated steel with powdercoat paint
Environmental Spec:	IEC 529 IP24, MIL 810
Dim (HxWxD):	9.90" x 20.30" x 14.52" (251 x 516 x 369 mm)
Net Weight:	38 lbs (17.2 kg)
Shipping Weight:	41 lbs (18.4 kg)

¹ Full Space Measurement of 4 Elements.
² Full Space Measurement of HF Section of 4 Elements. SPL Adjusted for 1m Distance.
³ Use EV or KT Signal Processing or Download Presets from Electro-Voice Website.

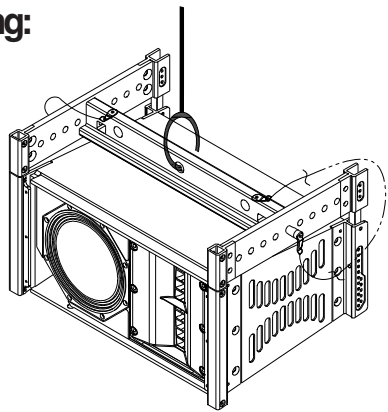
Block Diagram:



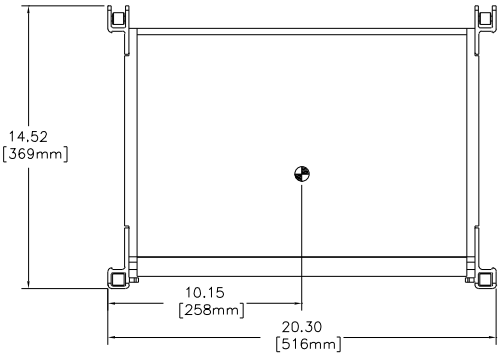
Connection Chart
(Pins 1 & 2 Pass Through)

Biamp		Full-Range	
LF:	Pins 3	LF/HF:	Pins 3
HF:	Pins 4		Pins 4 Pass Through

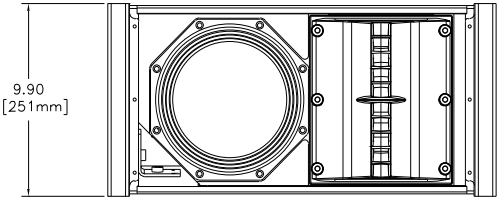
Grid Drawing:



Dimension Drawings (inches/metric):

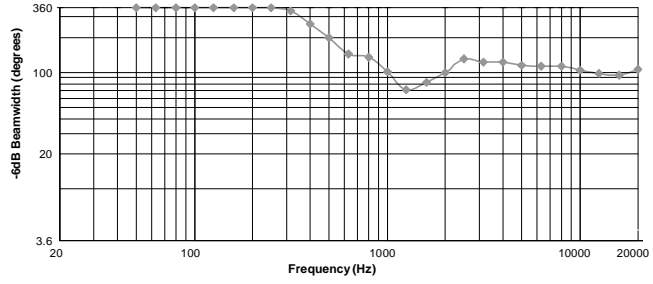


Top

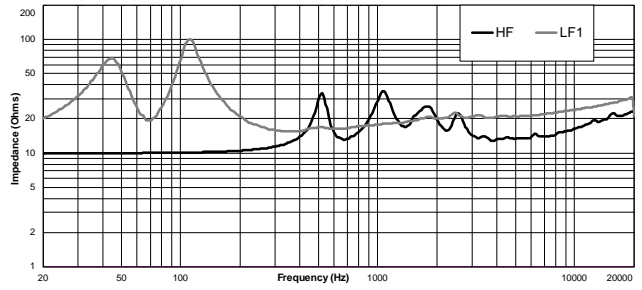


Front

Beamwidth:



Impedance:

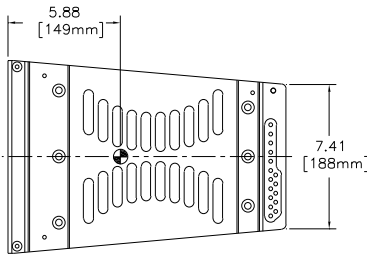


Performance Match:

- XLE191 - 90° Full-Range Line Array Element
- XS212 - Dual 12" Side-Firing Line Array Bass Element
- CP3000S - Precision Series™ Power Amplifier
- P3000RL - Precision Series™ Remote Control Power Amplifier
- P1200RL - Precision Series™ Remote Control Power Amplifier
- Dx38 - Digital Sound System Controller
- DN9848 - Digital Sound Controller
- XLE Dolly - 4-Tall Bottom Dolly for Rigging and Transporting
- XLE Grid - Grid for Hanging XLE Line-Arrays
- CBEAM - Coupler Beam for XLD/XLE to XS212 Arrays
- XGS-4 - Groundstack Kit for XLVC Line-Arrays

XLE181 Part Numbers:

- XLE181 (Black) - 301792-001
- XLE181 (White) - 301792-002



Side



12000 Portland Avenue South, Burnsville, MN 55337
Phone: 952/884-4051, Fax: 952/884-0043

www.electrovoice.com

© Telex Communications, Inc. 7/2008
Part Number 38110-431 Rev C

U.S.A. and Canada only. For customer orders, contact Customer Service at:
800/392-3497 Fax: 800/955-6831

Europe, Africa, and Middle East only. For customer orders, contact Customer Service at:
+ 49 9421-706 0 Fax: + 49 9421-706 265

Other International locations. For customer orders, contact Customer Service at:
+ 1 952 884-4051 Fax: + 1 952 736-4212

For warranty repair or service information, contact the Service Repair department at:
800/685-2606

For technical assistance, contact Technical Support at: **866/78AUDIO**

Specifications subject to change without notice.