

### EBC910R

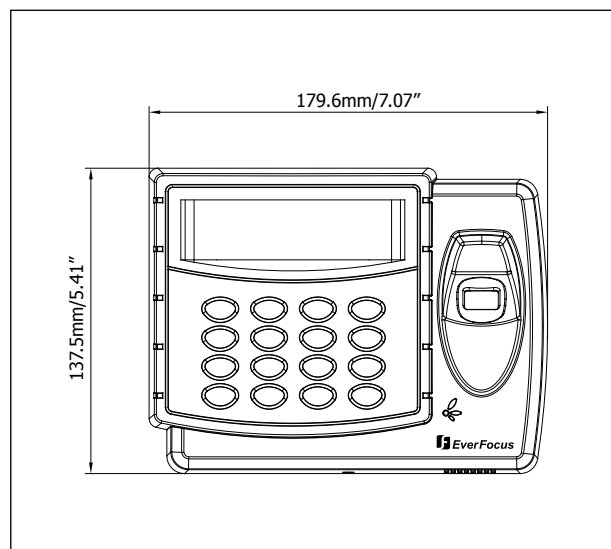
NAV Series TCP/IP Standalone Network Fingerprint Access Controller



#### Features

- Large storage capacity: supports up to 10, 000 users and 1 million event log entries
- Flexible operating mode: the fingerprint unit may function independently or may be connected with a computer; the software controls communications in real time
- Feature-rich management functions: capable of conducting access administration based on time, date, location, and cardholder's access privileges
- Powerful alarm features: connectivity with the alarm server for the ARM/ DISARM of controlled areas; the triggering of a fire alarm will effect controls to the appropriate door areas, which provides convenient connectivity
- Up to 13 door access types to provide customers with convenient options to suit their needs
- Backlit LCD display (2x10 Chinese characters or 2x20 English or Russian Characters)
- The protective features of TVS safeguards the fingerprint unit against damage resulting from transient high voltage
- Network access is based on CAT-5, which can be used for communication (10M/100M Ethernet) and Power over Ethernet (POE)
- Mainstream web browser is used to access remote equipment and perform control and administration; no additional software is required
- Embedded Linux operating system: installation of additional software not required to operate and administer the system and controllers
- Operates via DHCP and static IP, which is a plug-an-play feature
- Powerful networking features: web browser is used to access remote equipment and perform control and administration tasks
- Easy to use: the keyboard on the controller can be used to conduct simple configuration tasks
- A single unit that reads cards, scans fingerprints, and provides access control

#### Dimensions



#### Specifications

Operating System	Embedded Linux
Web-Based Functions	Supports configuration, monitoring and management
Database	Built-in
Processor	32-bit RISC CPU200MHz
Memory	512M NAND Flash, 64M DDR SDRAM
Communications Interface	10/100MB Ethernet
Max. Cards	10, 000
Max. Log Entries	1 million
Fingerprint Identification Time	1:1:<1 sec
	1:N:<2 sec
Error Rate	0.00001%
Automatic Finger Detection	YES
Controllable Doors	Single door
Card Password	8 characters
System Password	8 characters
ARM/DISARM Password	8 characters
Alarm Inputs	5 channels, may be configured as a general alarm or fire alarm
Alarm Outputs	1 channel
Network Interface	100M Ethernet interface
Programmable Time Intervals	Each day can be broken down into 10 time segments (Each unit must be at least 1 min)
Programmable Dates	3 types available with up to 384 types of date type configurations
Groups	2048
Automatic Daylight Savings Time	YES
Expiration of Card	YES
Power Failure Protection	YES
Real Time Clock	YES
Tamper-Proof Switch	YES, Normal close
Keyboard	4x4
Multiple Access Modes	12 types
Multiple-Card Access Mode	Supports 4x4 lock levels, with a multiple-card access configuration of up to 4 shifts x 4 cards
LCD Display	Backlit, 2x10 Chinese, 2x20 English/Russian
Real Time Clock	YES
Buzzer	Built-in
Max. Door Relay Current	5A
Max. Alarm Relay Current	2A
Voltage	POE Power Supply, DC12V±15%
Current	1A
Temperature	-10°C~+50°C
Dimensions (L x W x H)	179.6 x 137.5 x 48mm/ 7.07" x 5.41" x 1.89"