

EQN100 Mini IP Cube Camera

1.3 Megapixel Network Camera



ONVIF

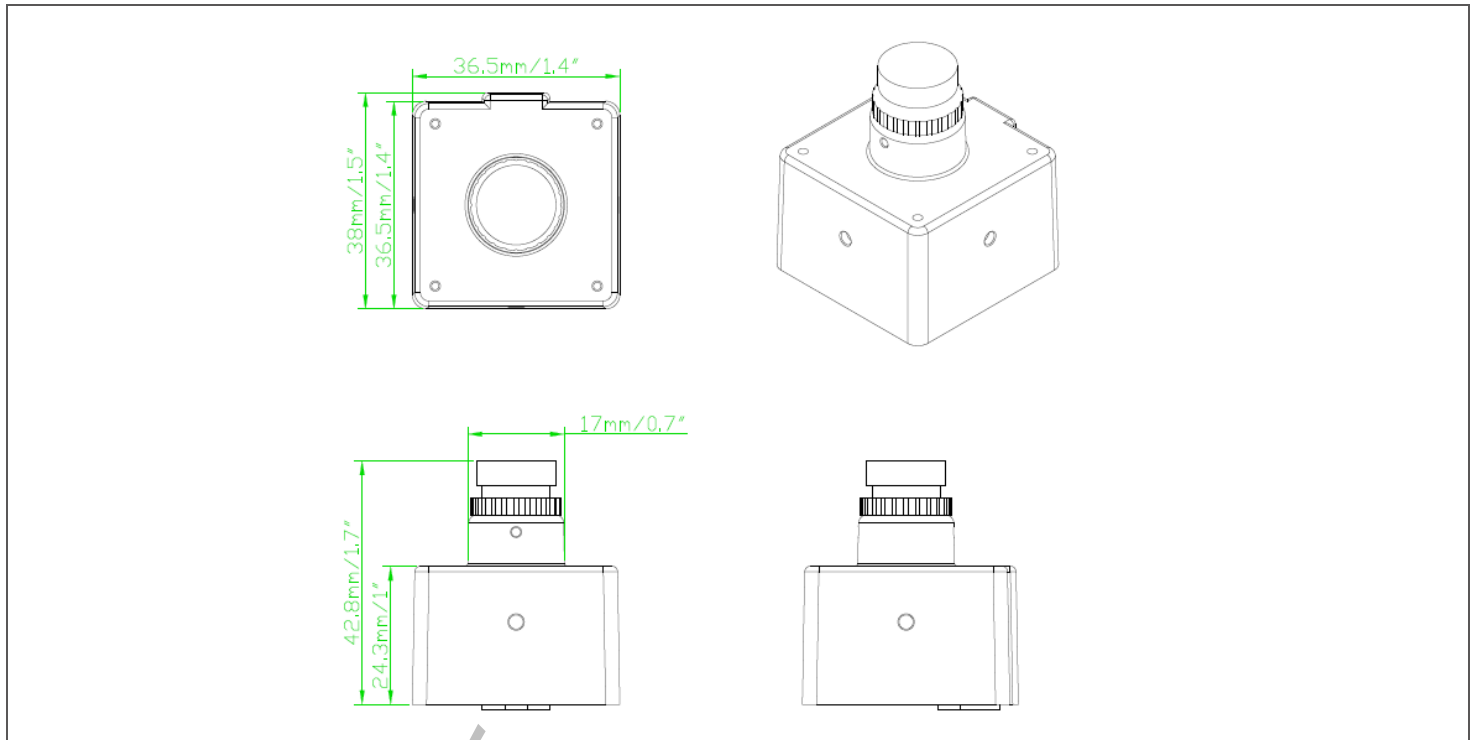


www.avsupply.com

Features



- 1/3" progressive CMOS image sensor delivers 1.3MP resolution
- 30fps@ 1280x1024
- Compact design
- Easy and flexible installation
- Multi-streaming from H.264 / MJPEG
- Power supply by 12 VDC
- Supports live monitoring of video from mobile devices via MobileFocus / MobileFocus Plus apps (iOS and Android)
- ONVIF compliant

Dimensions



Optional Accessories

You can use the optional accessories to expand the capabilities and versatility of the camera. Please contact your dealer for more information.

<p>IP Sidekick - ESK1000</p> 	<p>Using it for installation, you do not need to pre-configure the IP address or to use an additional monitor to check and adjust all the IP cameras. The product can assign an IP address to the camera, and then you can connect and check the camera live view using our mobile app EF Sidekick. For details about IP Sidekick, please refer to the IP Sidekick – <i>ESK1000 User's Manual</i>.</p>
<p>Bracket – BA-EQN</p> 	<p>You can use the bracket to install EQN100 onto the desired surface.</p> <p>*Two M3*5 screws and two washers are included for screwing the camera to bracket.</p>

Specification

Model No.	EQN100		
Megapixel	1.3MP	Interface	10BASE-T / 100BASE-TX
Pickup Device	1/3" progressive CMOS sensor	Supported Protocols	TCP/IP, UDP, ICMP, DHCP, NTP, DNS, DDNS, SMTP, FTP, HTTP, PPPoE, RTP, RTSP, RTCP, ONVIF
Lens	Fixed focal lens (optional:2.8mm, 3.6mm, 6mm, 8mm)	Video Streaming	Dual Streams
Min. Illumination	Color: 0.05 Lux @F1.2 / Black: 0.01 Lux @F1.2	Image Settings	Compression, Brightness, Sharpness, Saturation, White Balance, Exposure Control, Backlight Compensation, Mirroring of Images, Text and Image Overlay, Auto Gain Control, Auto White Balance
Day/Night	Easy Day / Night	Event Trigger	Motion Detection,
Shutter Time	1/25 ~ 1/8000sec.	Notification	Send mail notification, Upload video to FTP, Record video to PC
Video Compression	H.264 / M-JPEG	Power Supply	12VDC
Max. Video Resolution	1280 x 1024	Max. Power Consumption	2.18W
Frame Rate	25fps / 30fps	Humidity	20% ~ 80% not condensing
Video format	50Hz / 60Hz	Operating Temperature	0°C ~ 50°C / 32°F~122°F
S/N Ratio	> 50dB	Dimensions (L x W x H)	38 x 36.5 x 42.8mm / 1.5" x 1.4" x 1.7"
Privacy Mask	Yes	Weight	125g / 0.28lb (with cable)
WDR	Yes	Certificates	CE, FCC
DNR	3DNR		

Find Out More At:

EverFocus Taiwan HQ:
TEL: +886 2 2698 2334
www.everfocus.com.tw
marketing@everfocus.com.tw

EverFocus USA - California:
TEL: +1 626 844 8888
www.everfocus.com
sales@everfocus.com

International Branch Offices:
Germany, China, Japan

