

EXZ330e

700 TVL 3-Axis High Resolution Compact IP66 IR Bullet Camera

NEW



IR Dome Camera

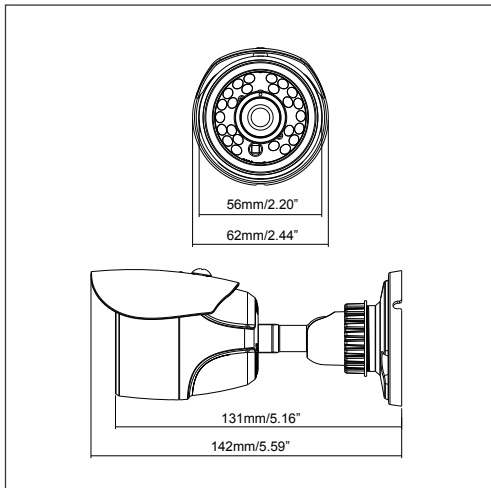
Features

- 3-Axis, SONY 1/3" Exview HAD CCD II 960H Sensor, 700 TVL resolution
- SONY Effio-E platform to provide advanced camera functions
- Fixed Lens f=3.6mm/4.3mm
- 24 IR LEDs reach up to 20m (~65ft.) range
- High sensitivity, low smear, high anti-blooming and high S/N ratio for high performance video
- D-WDR functions by SONY ATR technology
- DNR function to improve video quality and recording details
- Built-in Auto Electronic Shutter (AES), Auto Gain Control (AGC) and Auto White Balance (AWB)

Specifications

Pickup Device	1/3" SONY EXview HAD CCD II (960H)
Video Format	NTSC or PAL (depends on model selected)
Picture Elements	1020 x 508 (NTSC), 1020 x 596 (PAL)
Horizontal Resolution	700 TVL
Sensitivity	0.01 Lux / F=1.2 ; 0 Lux IR On
S/N Ratio	Over 50dB (AGC off)
Electronic Shutter	1/50 (1/60) ~1/100,000 sec.
Video Output	BNC 1.0 Vp-p, 75ohm
Gamma Correction	0.45
Lens Type	Fixed Lens f=3.6mm/4.3mm
Auto Gain Control	Yes
White Balance	Auto
Sync. Mode	Internal Sync.
Day & Night	Yes, Day & Night auto switch
DNR	On
D-WDR	Auto (SONY ATR)
IR LED	24 Units
IR Wavelength	850nm
IR Distance	20m (~65ft.)
Power Source	12VDC
Power Consumption	12VDC: 310mA / 4W max.
Operating Temperature	-10°C~50°C ; 14°F~122°F
Humidity	20% ~ 80% non-condensing
Dimensions (Φ x D)	62 x 142mm/2.44" x 5.59"
Weight	275g/0.6lbs
Certifications	CE,FCC

Dimensions



* All product specifications are subject to change without notice

* Models vary in different countries. Please visit EverFocus regional websites for detailed ordering information

* Lens models and availability vary in different regions