



IR & Specialty

540 TVL Outdoor True Day/Night IR Bullet

BCH-IR312NA-II

Features:

- 540 TVL Resolution
- 3.3-12mm **computar**® IR coated auto-iris varifocal lens
- True Day/Night performance
- 30 IR LEDS provide over 100' illumination range
- Backlight compensation
- Photocell activates IR lights at night
- Easy cable management with cable feed-through bracket
- IP67 Rating for all weather conditions

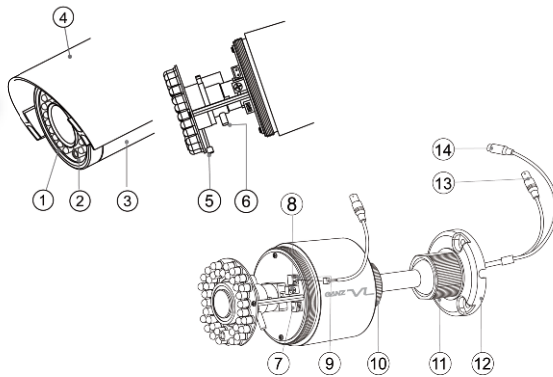


BCH-IR312NA-II

540 TVL Outdoor True Day/Night IR Bullet



Side View



1. IR LED
2. Photo Sensor
3. Front Cover
4. Sunshield
5. Focus Adjustment Lever
6. View Angle Adjustment Lever
7. DIP SW
8. DC Iris Level Adjustment Volume
9. Service Monitor Jack
10. Locking Ring (body)
11. Locking Ring (bracket)
12. Mounting Base
13. Video Output Connector
14. Power Input Jack

■ Specifications

Model	BCH-IR312NA-II
TV System	NTSC
Scanning System	2:1 Interlace
Image Sensor	1/3" Sony Super HAD II CCD
Effective Pixels	768 (H) x 494 (V)
Scanning frequency	15.734kHz (H) / 59.94Hz (V)
Video Output	1.0V p-p / 75Ω
Horizontal Resolution	540 TVL
Minimum Illumination	0 lux (B/W Mode - at IR LED ON)
Day / Night Performance	True Day / Night, Retractable IR Cut Filter
S/N Ratio	More than 50dB (at minimum AGC gain)
IR Illumination	30 IR LEDs
Gamma Correction	0.45
Sync System	Internal only
Lens	3.3-12mm / F1.4 Auto-iris
Max Aperture Ratio	1: 1.4 ~ 2.9
Angle of View	89.8° ~ 23.9° Horizontal
Electronic Shutter	1/60 sec (FL off), 1/100 sec (FL on)
White Balance	ATW
Power Supply	24V AC ± 10% 60Hz ± 1Hz / 12V DC ± 10%
Power Consumption	5.7W (24V AC) / 6.5W (12V DC)
Operating Temperature	-4° F ~ 122° F (-20° C ~ 50° C)
Storage Temperature	-4° F ~ 140° F (-20° C ~ 60° C)
Ambient Humidity	85% RH (Operation) / 95% RH (Storage)
IP Rating	IP67
External Dimensions	8.2" (L) x 2.8" (Ø) (with bracket) / 5.5" (L) x 3.6" (Ø) (without bracket)
Weight	1.7 lbs. / 750g (with sunshield)
Adjustment Volumes	DC iris adjustment
Switches	4 Dip switches (ELC / ALC, AGC, BLC, FL)
Accessories	Self-tapping screw (3), Template, Instruction manual, Additional power connector, Service monitor cable, Allen key
Certifications	CE, FCC, WEEE

All specifications are subject to change without notice.