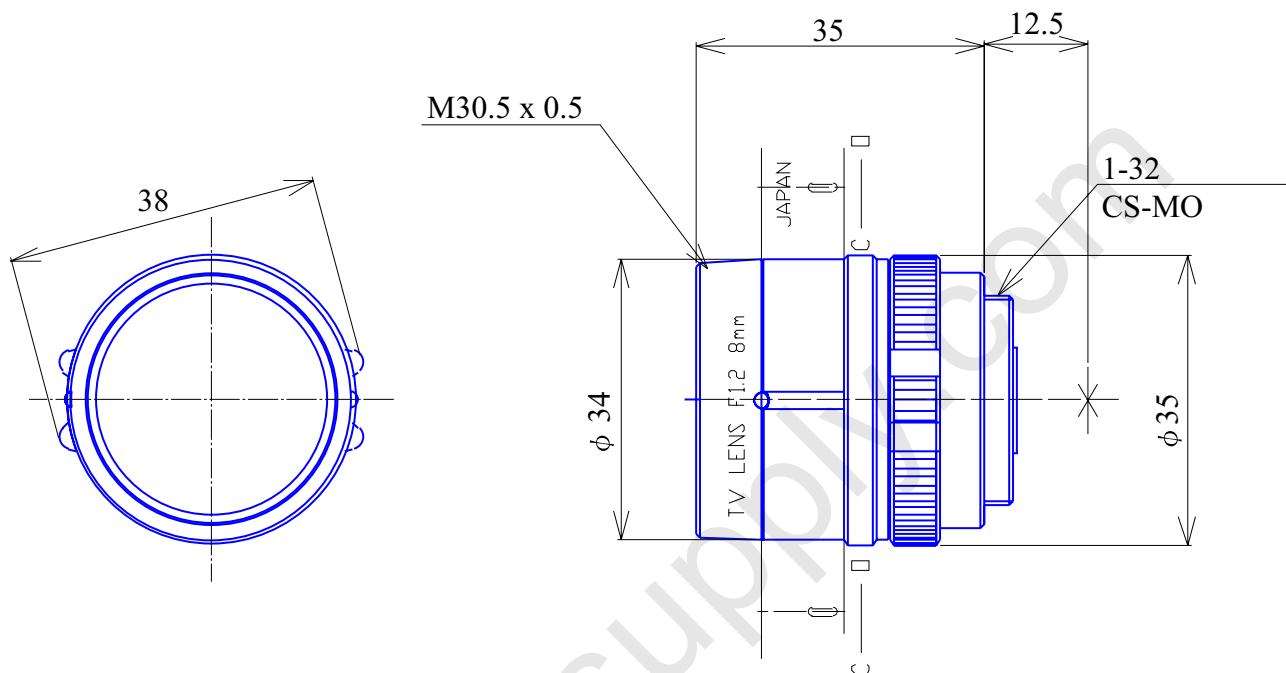


1/3" Format Manual Iris Lenses

Item GM18012S



ITEM NO.		GM18012S
Focal Length		8 (mm)
Iris Rnage		F1.2 - Close
Angle of View (H x V)	1/3"	34.7° x 25.7°
MOD		0.2 (m)
Dimention		35 x 35 (mm)
Weight		40 (g)
Mount		CS
Notes		-

GOYO OPTICAL Inc.,

Japanese Office

3-8-31 HAMASAKI,
 ASAKA,
 SAITAMA 351-0033,
 JAPAN,
 TEL:048-474-2235
 FAX:048-474-7373
 E-MAIL:info@goyooptical.com

German Office

KURHAUSSTR,3
 ROOM N'19
 D-55543 BAD KREUZNACH
 GERMANY
 TEL:0671-4822255
 FAX:0671-43602
 E-MAIL:info@g

For design help, accessories or pricing, please contact:
 sales@avsupply or call: 1-858-565-1101

AUDIOVIDEO SUPPLY
 1-800-284-2288 sales@avsupply.com
 www.avsupply.com