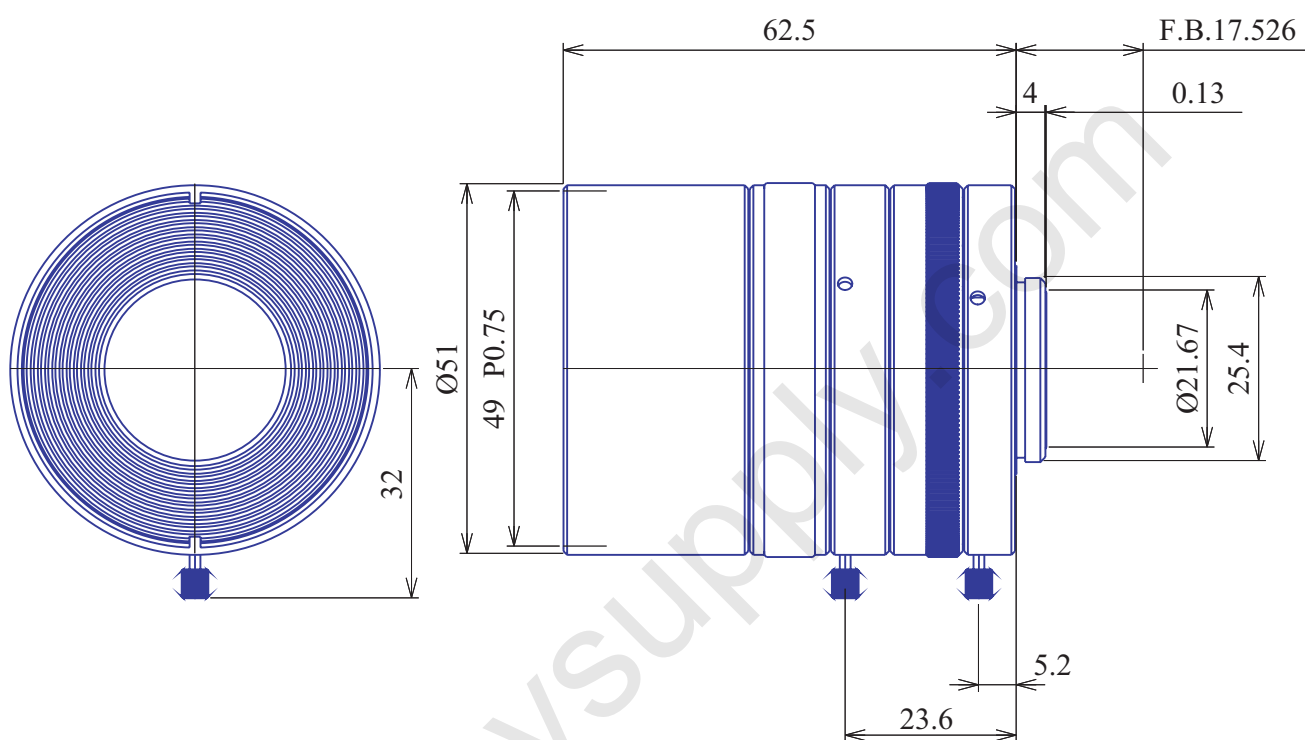


2/3inch Format**High resolution 5 Megapixel Lenses****Item No.GM5HR31614MCN**

ITEM NO.		GM5HR31614MCN
Focal Length		16 (mm)
Iris Range		F1.4 - 22
Angle of View (H x V x D)	2/3"	30.7° x 23.3°
MOD		0.2 (m)
Filter Thread		M=49 , P=0.75
Dimention (D x L)		Ø51 x 62.5 (mm)
Weight		200 (g)

GOYO OPTICAL Inc.,

3-8-31 HAMASAKI, ASAKA, SAITAMA 351-0033, JAPAN,
 TEL:+81-48-474-2235 FAX:+81-48-474-7373
<http://www.goyooptical.com> E-MAIL:info@goyooptical.com

For design help, accessories or pricing, please contact:
sales@avsupply.com or call: 1-858-565-1101

AUDIOVIDEO SUPPLY
 1-800-284-2288 sales@avsupply.com
www.avsupply.com