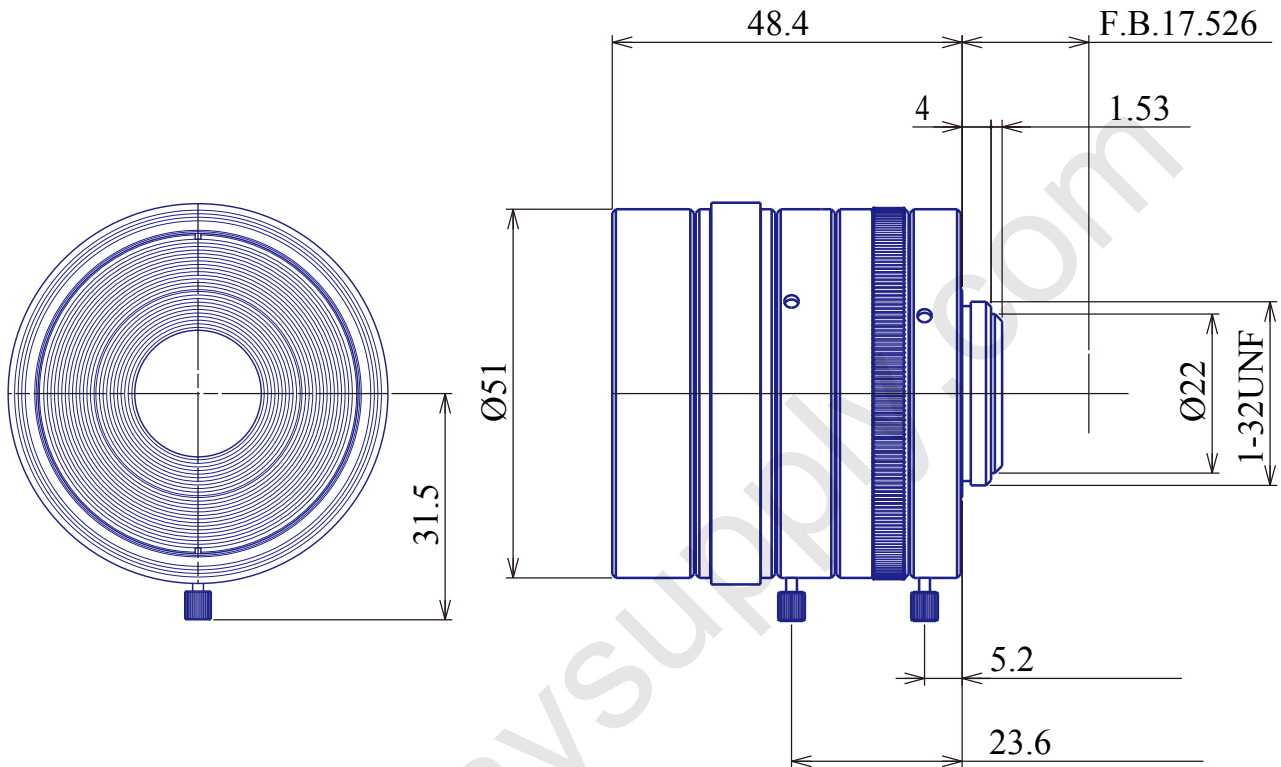


2/3inch Format**High resolution 5 Megapixel Lenses****Item No.GMA5HR38028MCN**

| ITEM NO. | | GMA5HR38028MCN |
|--------------------------------|------|-----------------|
| Focal Length | | 8 (mm) |
| Iris Range | | F2.8 - 22 |
| Angle of View (H x V x D) | 2/3" | 57°9' x 45°0' |
| MOD | | 0.1 (m) |
| Filter Thread | | M=49 , P=0.75 |
| Dimention (D x L) | | Ø51 x 48.5 (mm) |
| Weight | | 210 (g) |

GOYO OPTICAL Inc.,

3-8-31 HAMASAKI, ASAKA, SAITAMA 351-0033, JAPAN,
 TEL:+81-48-474-2235 FAX:+81-48-474-7373
<http://www.goyooptical.com> E-MAIL:info@goyooptical.com