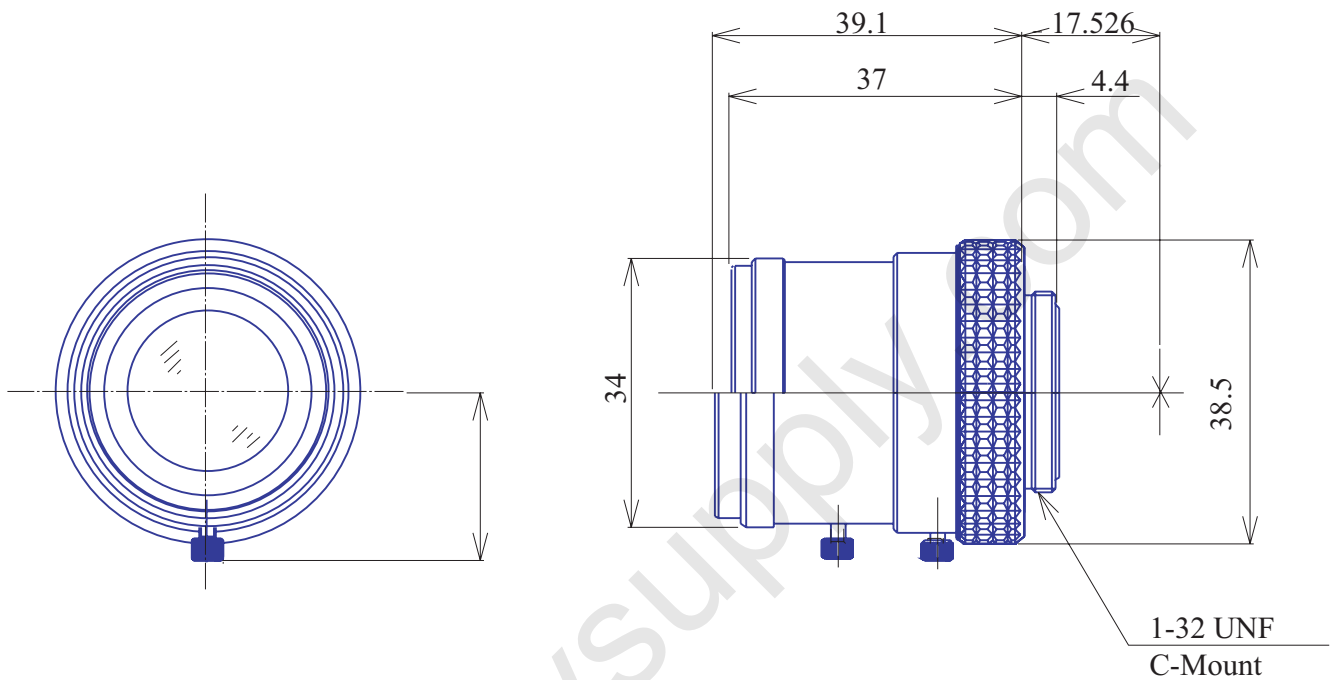


2/3inch Format**High resolution 5 Megapixel Lenses****Item No.GMB5HR31614MCN**

ITEM NO.		GMB5HR31614MCN
Focal Length		16 (mm)
Iris Range		F1.4 - 16
Angle of View (H x V x D)	2/3"	30°0' x 22°7' x 37°0'
MOD		0.2 (m)
Filter Thread		M=30.5 , P=0.5
Dimention (D x L)		Ø38.5 x 39.1 (mm)
Weight		85 (g)

GOYO OPTICAL Inc.,

3-8-31 HAMASAKI, ASAKA, SAITAMA 351-0033, JAPAN,
 TEL:+81-48-474-2235 FAX:+81-48-474-7373
<http://www.goyooptical.com> E-MAIL:info@goyooptical.com

For design help, accessories or pricing, please contact:
sales@avsupply.com or call: 1-858-565-1101

AUDIOVIDEO SUPPLY
 1-800-284-2288 sales@avsupply.com
www.avsupply.com