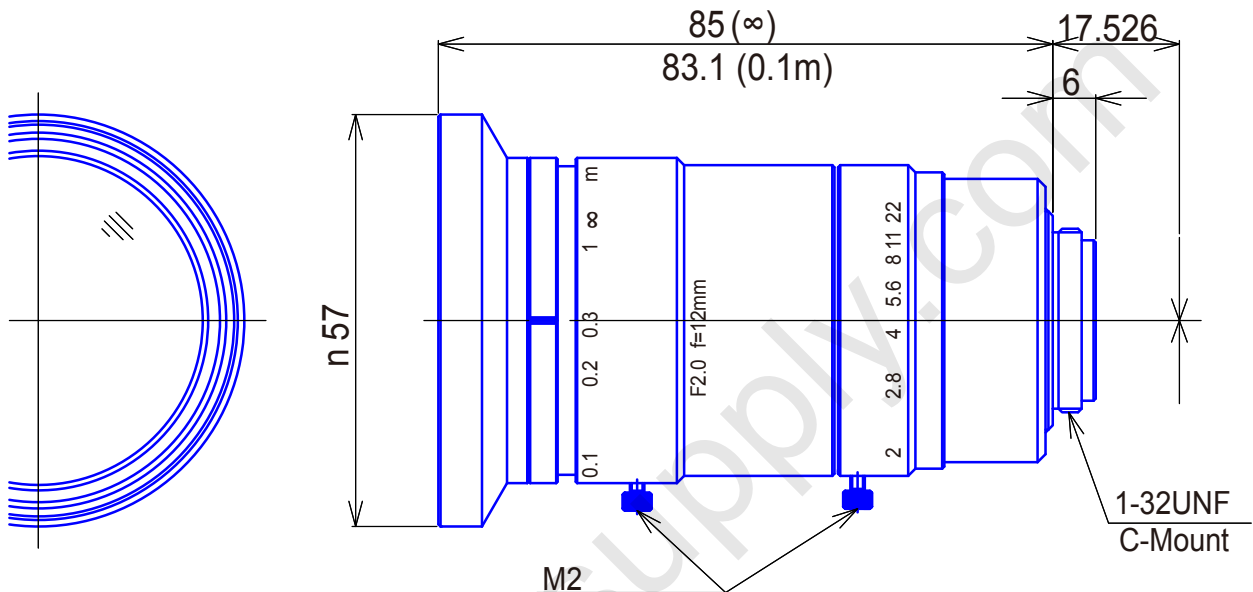


4/3inch Format(Ø23mm)
Megapixel Lenses

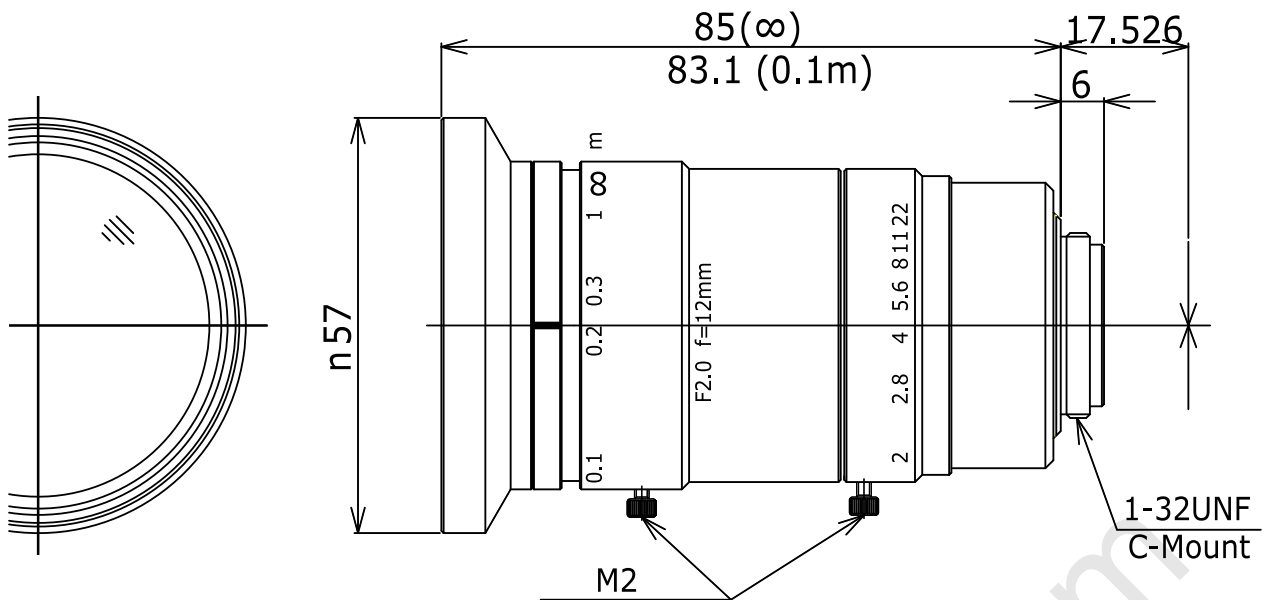
Item No. GMHR61220MCN



ITEM NO.	GMHR61220MCN
Focal Length	12 (mm)
Iris Range	F2 - 22
Angle of View (H x V x D)	74.9° x 59.6° x 86.8°
MOD	0.1 (m)
Filter Thread	M=55 , P=0.75
Dimension (D x L)	Ø57 x 85 (mm)
Weight	270 (g)

GOYO OPTICAL Inc.,

3-8-31 HAMASAKI, ASAKA, SAITAMA 351-0033, JAPAN,
TEL:+81-48-474-2235 FAX:+81-48-474-7373
http://www.goyooptical.com E-MAIL:info@goyooptical.com



φ23 2.0/12mm C		
FOCAL LENGTH		f=12mm
MAX. DIAMETER (RATIO)		F=1 : 2.0~22
ELEMENT		10 GROUPS 12 ELEMENTS
PICTURE SIZE		13.8x18.4mm
ANGLE	VER. ANGLE	59.6°
	HOR. ANGLE	74.9°
	DIA. ANGLE	86.8°
DISTORTION (TV)		0.59%
SHOOTING RANGE AT MINIMUM FOCUS DISTANCE	VER.	136 mm
	HOR.	182 mm
	DIA.	225 mm
MINIMUM FOCUS DISTANCE		0.1m
FLANGE BACK		17.526mm in air
BACK FOCUS		13.0mm in air
FILTER SCREW SIZE		M55x0.75
FRONT/REAR EFFECTIVE DIA.		FRONTφ44.8mm REARφ16.0mm
MOUNT		C-MOUNT
EXIT PUPIL		-31.8mm
TEMPERATURE RANGE		-10~+50° C
STORAGE TEMPERATURE RANGE		-20~+60° C
RESOLUTION CENTER/CORNER		CENTER 160本/mm CORNER 80本/mm
LENS COATING		WIDE BAND MULTI COATING
WEIGHT		270 g

NOTE: Specifications and availability are subject to change without notice

注) 本仕様については、予告なしに変更する場合があります。

	尺度	1/1	承認	製図
	機種名	4/3(φ23) F2.0 f=12mm		
作成年月日	機種番	GMHR61220MCN		

For design help, accessories or pricing, please contact:
sales@avsupply or call: 1-858-565-1101