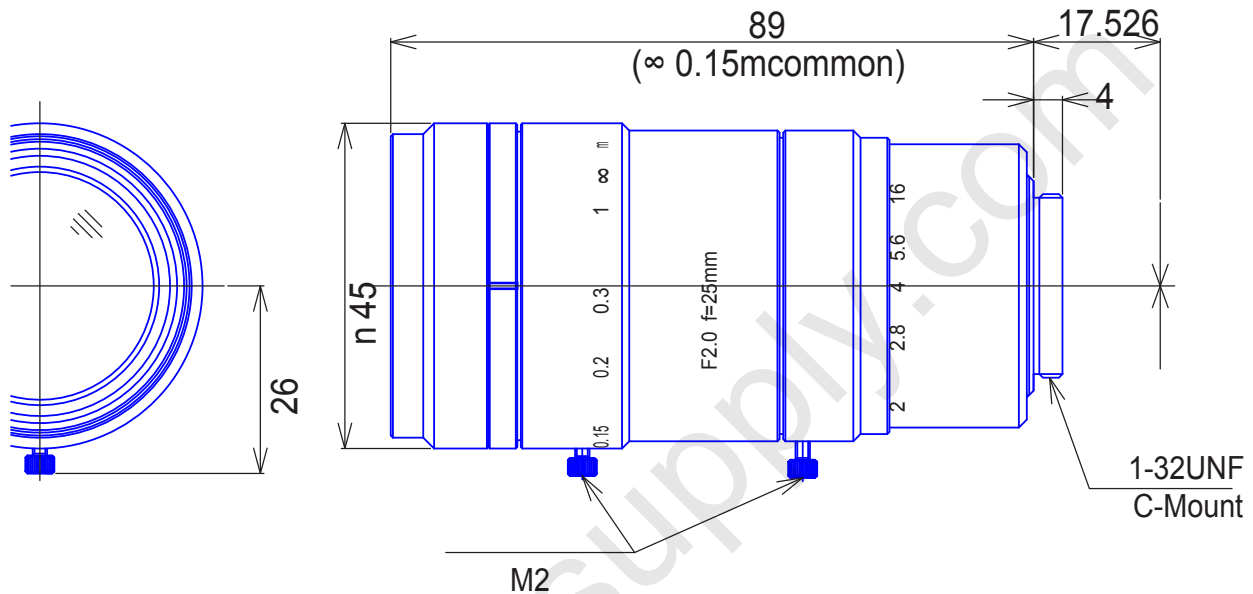


4/3inch Format(Ø23mm)
Megapixel Lenses

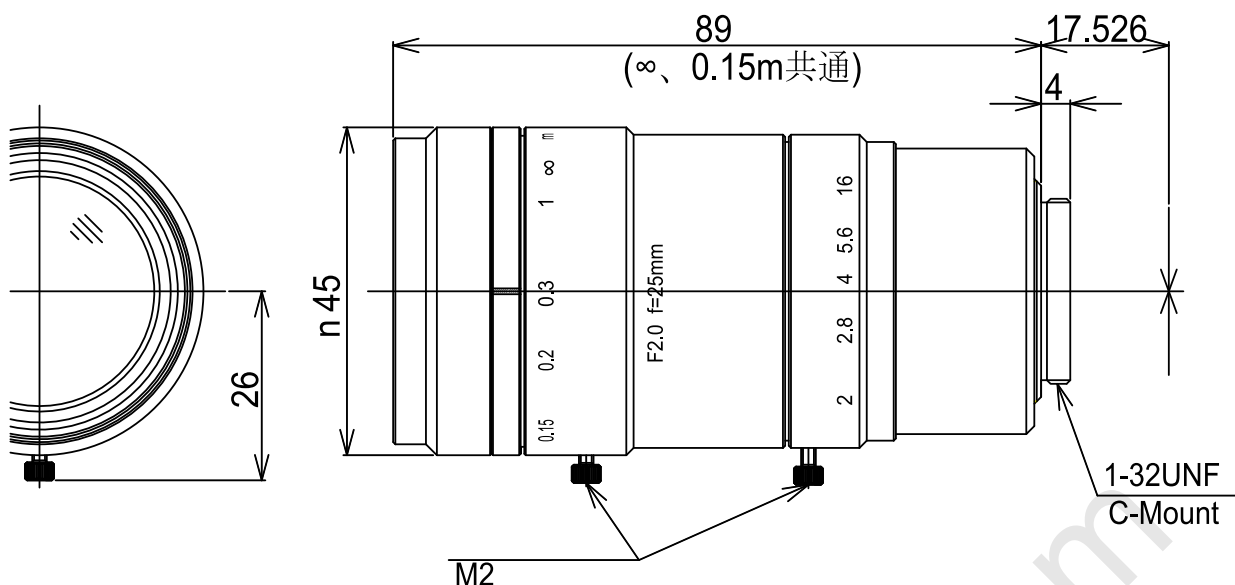
Item No. GMHR62520MCN



ITEM NO.	GMHR62520MCN	
Focal Length	25	(mm)
Iris Range	F2 - 16	
Angle of View (H x V x D)	40.9° x 31.1° x 50.2°	
MOD	0.15	(m)
Filter Thread	M=40.5, P=0.5	
Dimension (D x L)	Ø45 x 89	(mm)
Weight	250	(g)

GOYO OPTICAL Inc.,

3-8-31 HAMASAKI, ASAKA, SAITAMA 351-0033, JAPAN,
TEL:+81-48-474-2235 FAX:+81-48-474-7373
http://www.goyooptical.com E-MAIL:info@goyooptical.com



φ23 2.0/25mm C		
FOCAL LENGTH	f=25mm	
MAX. DIAMETER (RATIO)	F=1 : 2.0~16	
ELEMENT	6 GROUPS 8 ELEMENTS	
PICTURE SIZE	13.8x18.4mm	
ANGLE	VER. ANGLE	31.1°
	HOR. ANGLE	40.9°
	DIA. ANGLE	50.2°
DISTORTION (TV)	-0.57%	
SHOOTING RANGE AT MINIMUM FOCUS DISTANCE	VER.	93mm
	HOR.	125mm
	DIA.	157mm
MINIMUM FOCUS DISTANCE	0.15m	
FLANGE BACK	17.526mm in air	
BACK FOCUS	24.3mm in air	
FILTER SCREW SIZE	M40.5x0.5	
FRONT/REAR EFFECTIVE DIA.	FRONTφ31.4mm	REARφ18.2mm
MOUNT	C-MOUNT	
EXIT PUPIL	-63.9mm	
TEMPERATURE RANGE	-10~+50° C	
STORAGE TEMPERATURE RANGE	-20~+60° C	
RESOLUTION CENTER/CORNER	CENTER 160本/mm CORNER 80本/mm	
LENS COATING	WIDE BAND MULTI COATING	
WEIGHT	250 g	

NOTE: Specifications and availability are subject to change without notice

注) 本仕様については、予告なしに変更する場合があります。

		尺度 1/1	承認	製図
		機種名	4/3(φ23) F2.0 f=25mm	
		機種番	GMHR62520MCN	
2010.11.03	作成年月日			

For design help, accessories or pricing, please contact:
sales@avsupply or call: 1-858-565-1101