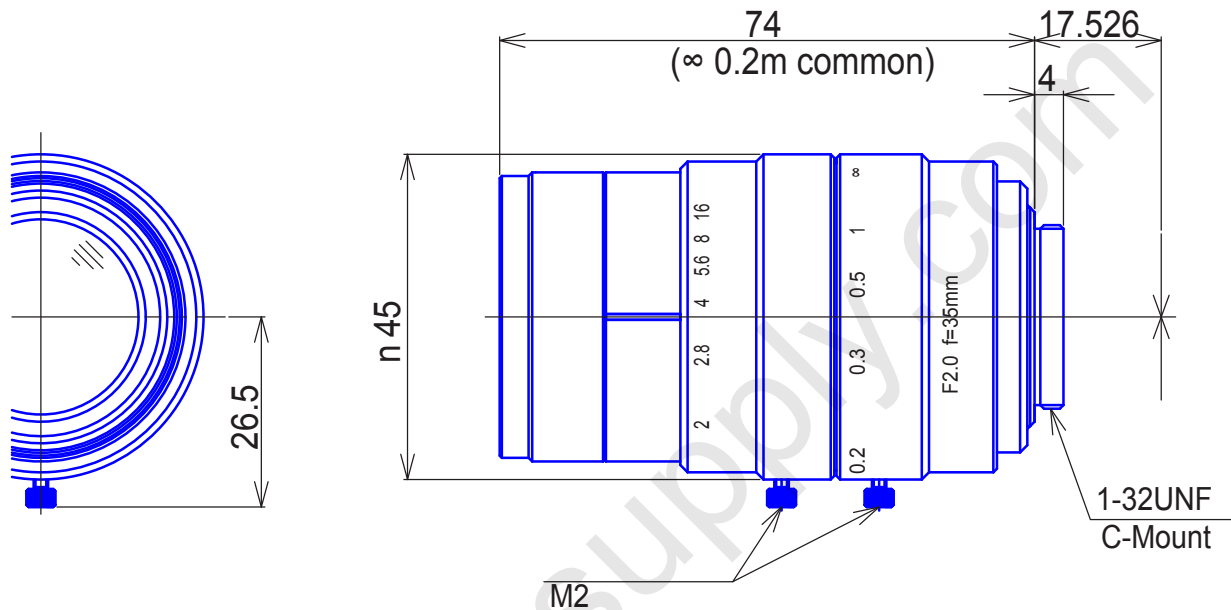


4/3inch Format(Ø23mm)
Megapixel Lenses

Item No. GMHR63520MCN

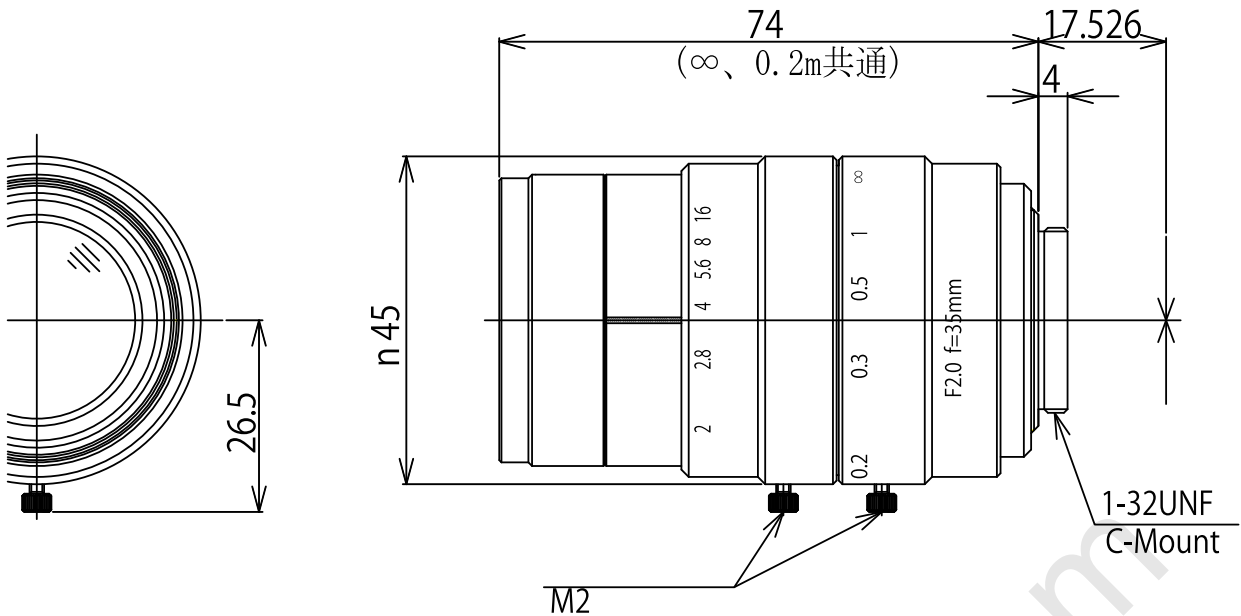


ITEM NO.	GMHR63520MCN	
Focal Length	35	(mm)
Iris Range	F2 - 16	
Angle of View (H x V x D)	29.6° x 22.4° x 36.6°	
MOD	0.2	(m)
Filter Thread	M=37.5, P=0.5	
Dimension (D x L)	Ø45 x 74	(mm)
Weight	210	(g)

GOYO OPTICAL Inc.,

3-8-31 HAMASAKI, ASAKA, SAITAMA 351-0033, JAPAN,
TEL:+81-48-474-2235 FAX:+81-48-474-7373
http://www.goyooptical.com E-MAIL:info@goyooptical.com

Distributed By: Audio Video Supply -- Tel: 1-800-284-2288 -- www.avsupply.com



$\phi 23$ 2.0/35mm C	
FOCAL LENGTH	f=35mm
MAX. DIAMETER (RATIO)	F=1 : 2.0~16
ELEMENT	6 GROUPS 8 ELEMENTS
PICTURE SIZE	13.8x18.4mm
ANGLE	VER. ANGLE 22.4°
	HOR. ANGLE 29.6°
	DIA. ANGLE 36.6°
DISTORTION (TV)	-0.17%
SHOOTING RANGE AT	VER. 75mm
MINIMUM FOCUS	HOR. 100mm
DISTANCE	DIA. 125mm
MINIMUM FOCUS DISTANCE	0.2m
FLANGE BACK	17.526mm in air
BACK FOCUS	15.2mm in air
FILTER SCREW SIZE	M37.5x0.5
FRONT/REAR EFFECTIVE DIA.	FRONT $\phi 26.5$ mm REAR $\phi 16.9$ mm
MOUNT	C-MOUNT
EXIT PUPIL	-26.6mm
TEMPERATURE RANGE	-10~+50° C
STORAGE TEMPERATURE RANGE	-20~+60° C
RESOLUTION CENTER/CORNER	CENTER 160本/mm CORNER 80本/mm
LENS COATING	WIDE BAND MULTI COATING
WEIGHT	210 g

NOTE: Specifications and availability are subject to change without notice

注) 本仕様については、予告なしに変更する場合があります。

		尺度 1/1	承認	製図
		機種名	4/3($\phi 23$) F2.0 f=35mm	
		機種番	GMHR63520MCN	
2010.11.04	作成年月日			

For design help, accessories or pricing, please contact:
sales@avsupply or call: 1-858-565-1101