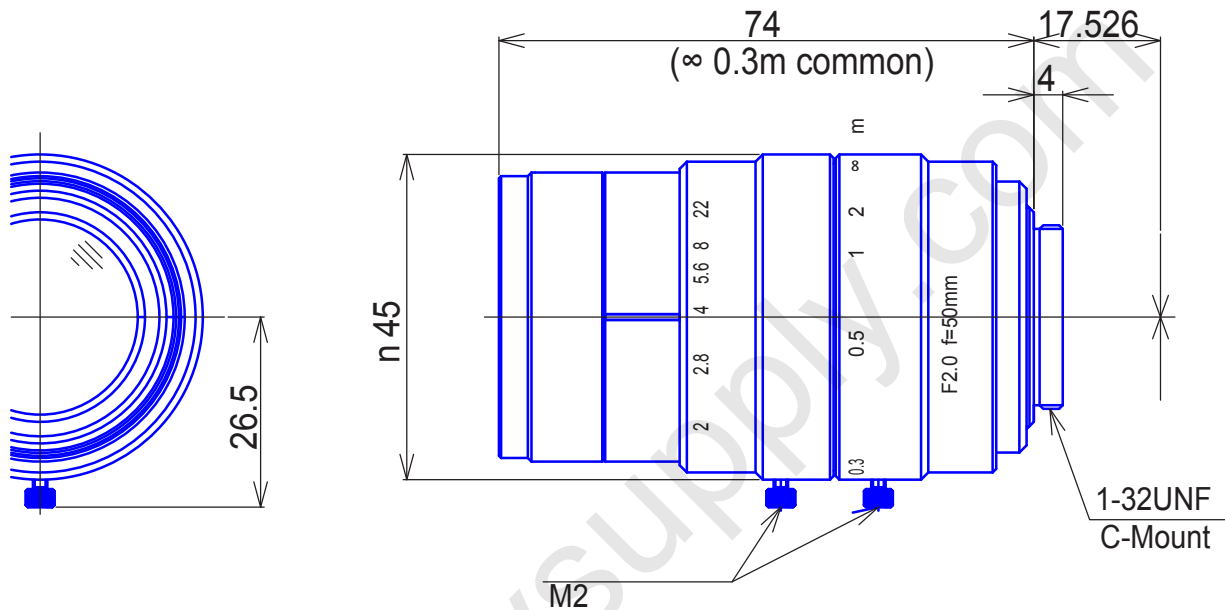


4/3inch Format(Ø23mm)
Megapixel Lenses

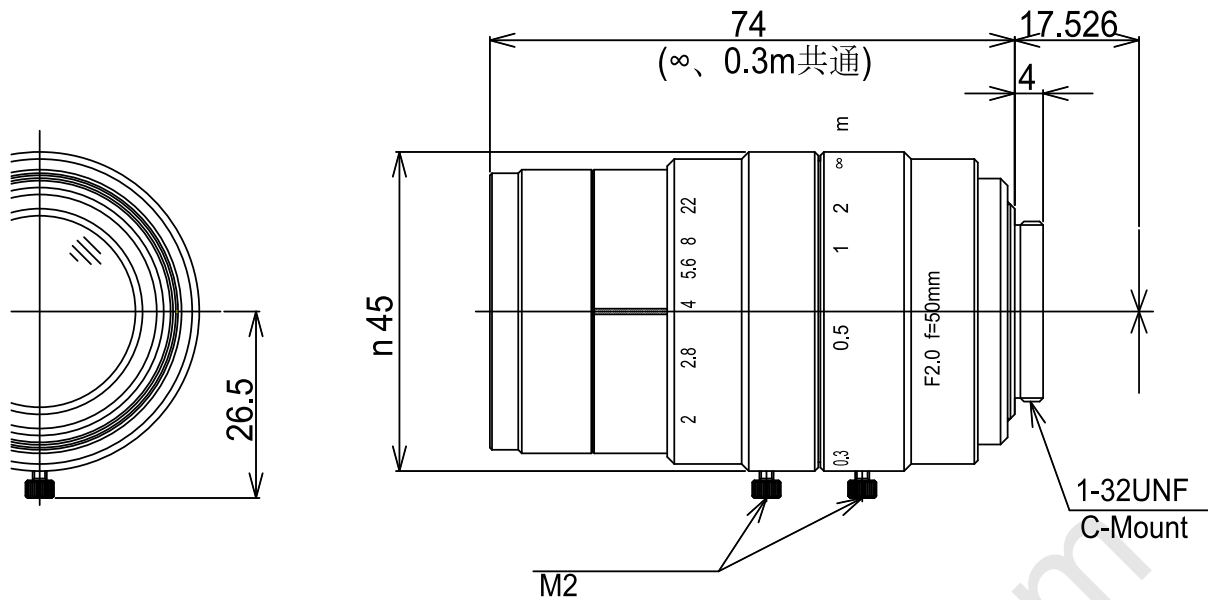
Item No. GMHR65020MCN



ITEM NO.	GMHR65020MCN	
Focal Length	50	(mm)
Iris Range	F2 - 22	
Angle of View (H x V x D)	20.6° x 15.7° x 25.4°	
MOD	0.3	(m)
Filter Thread	M=37.5, P=0.5	
Dimension (D x L)	Ø45 x 74	(mm)
Weight	220	(g)

GOYO OPTICAL Inc.,

3-8-31 HAMASAKI, ASAKA, SAITAMA 351-0033, JAPAN,
TEL:+81-48-474-2235 FAX:+81-48-474-7373
http://www.goyooptical.com E-MAIL:info@goyooptical.com



φ23 2.0/50mm C		
FOCAL LENGTH		f=50mm
MAX. DIAMETER (RATIO)		F=1 : 2.0~22
ELEMENT		6 GROUPS 7 ELEMENTS
PICTURE SIZE		13.8x18.4mm
ANGLE	VER. ANGLE	15.7°
	HOR. ANGLE	20.6°
	DIA. ANGLE	25.4°
DISTORTION (TV)		0.8%
SHOOTING RANGE AT MINIMUM FOCUS DISTANCE	VER.	75mm
	HOR.	100mm
	DIA.	124mm
MINIMUM FOCUS DISTANCE		0.3m
FLANGE BACK		17.526mm in air
BACK FOCUS		21.6mm in air
FILTER SCREW SIZE		M37.5x0.5
FRONT/REAR EFFECTIVE DIA.		FRONTφ31.8mm REARφ16.0mm
MOUNT		C-MOUNT
EXIT PUPIL		-19.1mm
TEMPERATURE RANGE		-10~+50° C
STORAGE TEMPERATURE RANGE		-20~+60° C
RESOLUTION CENTER/CORNER		CENTER 160本/mm CORNER 80本/mm
LENS COATING		WIDE BAND MULTI COATING
WEIGHT		220 g

NOTE: Specifications and availability are subject to change without notice

注) 本仕様については、予告なしに変更する場合があります。

		尺度 1/1	承認	製図
		機種名	4/3(φ23) F2.0 f=50mm	
2010.11.04	作成年月日	機種番	GMHR65020MCN	