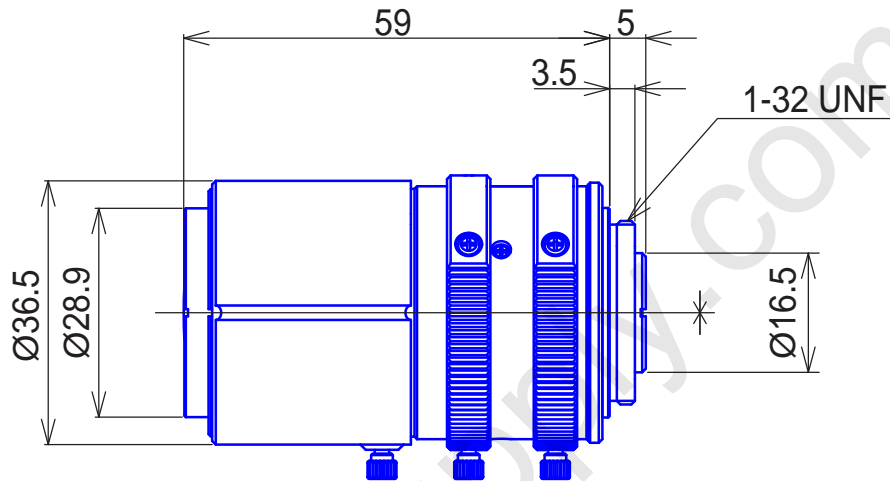


1/2inch Format Megapixel Lenses

**Item No.GMMPDN23510S**



ITEM NO.		GMMPDN23510S
Focal Length		3.5 - 10 (mm)
Iris Range		F1.6 - 22
Angle of View	1/2"	108.3° x 78.8° x 143.3° 37.5° x 28.1° x 46.9°
MOD		0.2 (m)
Dimention		Ø36.5 x 59 (mm)
Weight		100 (g)
Mount		CS
Note		3Megapixel, Aspherical, Day&Night,Manual

*GOYO OPTICAL Inc.,* Japanese Office

3-8-31 HAMASAKI, ASAKA, SAITAMA 351-0033, JAPAN,  
TEL:+81-48-474-2235 FAX:+81-48-474-7373  
E-MAIL:info@goyooptical.com

Distributed By: Audio Video Supply -- Tel: 1-800-284-2288 -- www.avsupply.com