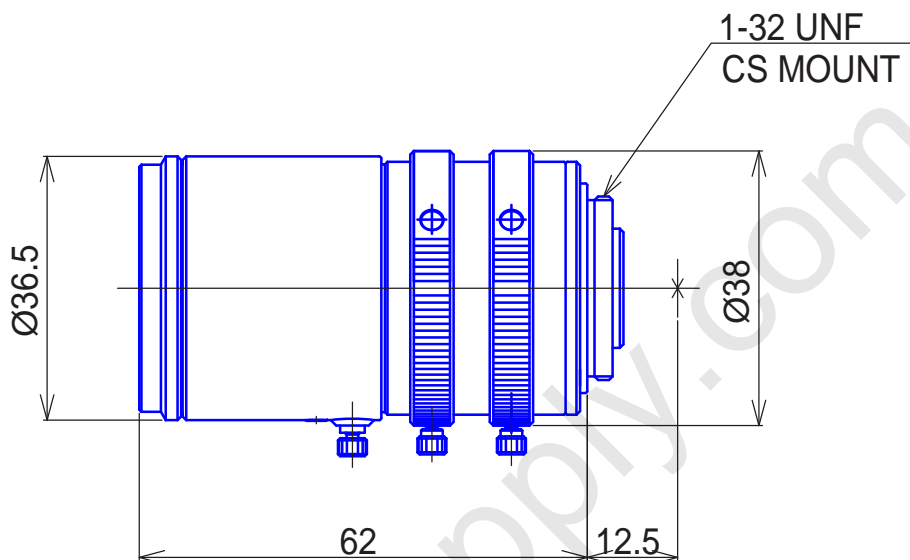


1/2inch Format Megapixel Lenses

**Item No.GMMPDN29020S**



ITEM NO.		GMMPDN29020S	
Focal Length		9 - 20 (mm)	
Iris Range		F1.6 - 22	
Angle of View	1/2"	42.3° x 30.9° x 55° 18.7° x 13.9° x 23.4°	
MOD		0.3 (m)	
Dimention		Ø36.5 x 62 (mm)	
Weight		100 (g)	
Mount		CS	
Note		3Megapixel, Aspherical Day&Night, Manual Iris	

*GOYO OPTICAL Inc.,* Japanese Office

3-8-31 HAMASAKI, ASAKA, SAITAMA 351-0033, JAPAN,  
 TEL:+81-48-474-2235 FAX:+81-48-474-7373  
 E-MAIL:info@goyooptical.com

Distributed By: Audio Video Supply -- Tel: 1-800-284-2288 -- www.avsupply.com