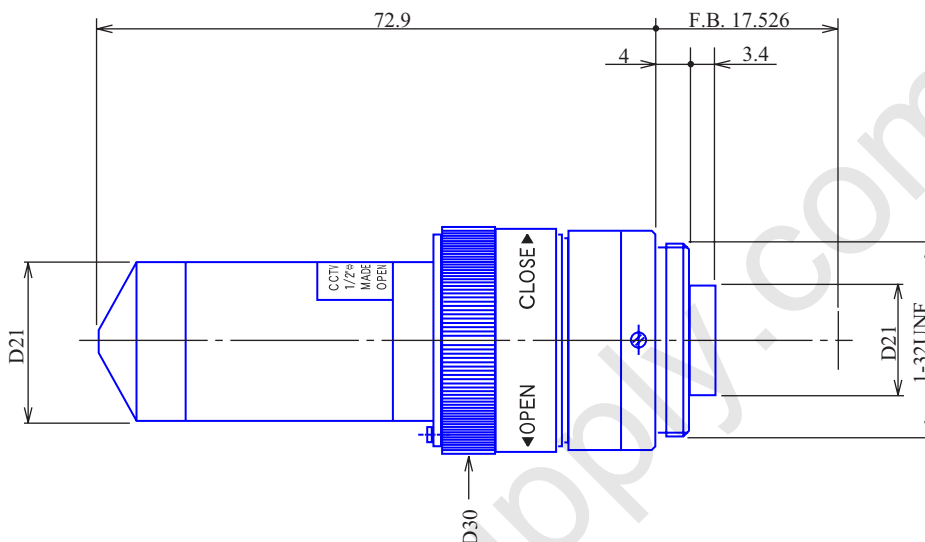


Pin Hole Lenses

Item GMPM23824C



ITEM NO.	GMPM23824C
Focal Length	3.8 (mm)
Iris Range	F2.4 - Close
Angle of View (H x V)	80.2° x 64.6°
MOD	1.0 (m)
Dimension	φ 30 x 72.9 (mm)
Weight	80 (g)
Mount	C
Notes	1/2inch , fixed focus

GOYO OPTICAL Inc.,

Japanese Office

3-8-31 HAMASAKI,
 ASAKA,
 SAITAMA 351-0033,
 JAPAN,
 TEL:048-474-2235
 FAX:048-474-7373
 E-MAIL:info@goyooptical.com

German Office

KURHAUSSTR,3
 ROOM N'19
 D-55543 BAD KREUZNACH
 GERMANY
 TEL:0671-4822255
 FAX:0671-43602
 E-MAIL:info@g

For design help, accessories or pricing, please contact:
 sales@avsupply or call: 1-858-565-1101

AUDIOVIDEO SUPPLY
 1-800-284-2288 sales@avsupply.com
 www.avsupply.com