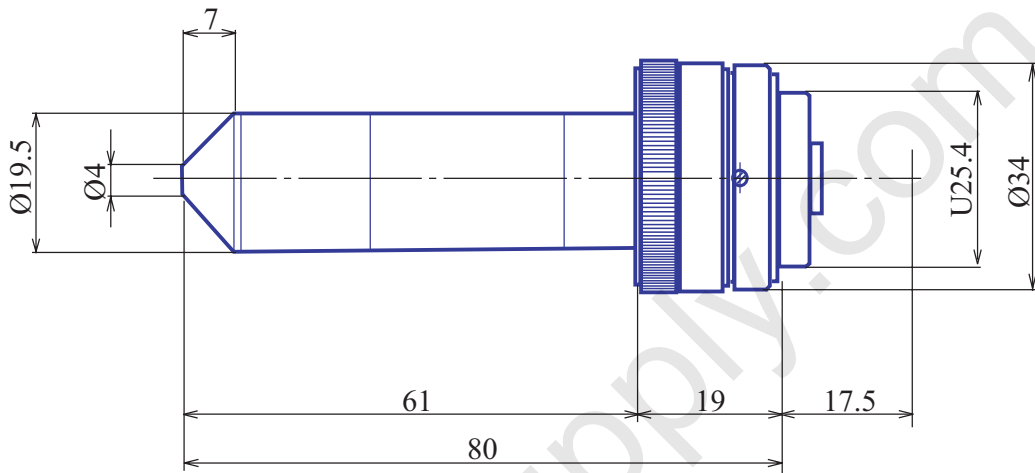


**Pin Hole Lenses**

**Item GMPM24020C**



ITEM NO.	GMPM24020C	
Focal Length	4	(mm)
Iris Rnage	F2 - 16	
Angle of View	91° x 78.4° x 62.9°	
MOD	0.5	(m)
Dimention	Ø34 x 80	(mm)
Weight	65	(g)
Mount	C	
Notes	1/2inch , fixed focus	

**GOYO OPTICAL Inc., Japanese Office**

3-8-31 HAMASAKI, ASAKA, SAITAMA 351-0033, JAPAN,  
 TEL:+81-48-474-2235 FAX:+81-48-474-7373  
 E-MAIL:info@goyooptical.com

Distributed By: Audio Video Supply -- Tel: 1-800-284-2288 -- www.avsupply.com