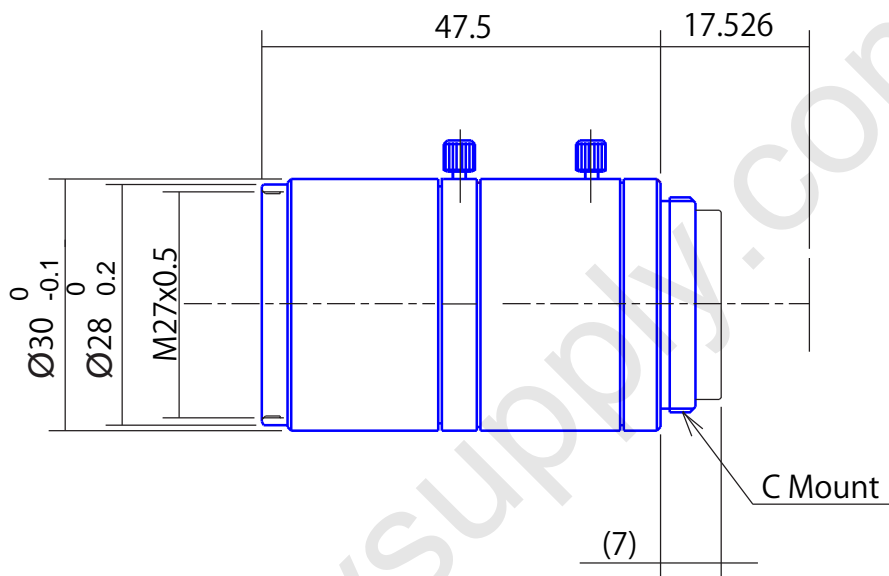


GOYO OPTICAL INC.

Industrial Lens

High Resolution Megapixel Lenses

**Item No. GMTHR31214MCN**

ITEM NO.		GMTHR31214MCN
Focal Length		12.3 (mm)
Iris Range		F1.45 - 16
Angle of View (H x V x D)	2/3"	39.59° x 30.17° x 48.38°
MOD		0.1 (m)
Filter Thread		M27.0, P=0.5
Dimension (D x L)		Ø30 x 47.5 (mm)
Weight		90 (g)
Notes		2megapixel

**GOYO OPTICAL Inc.,**

3-8-31 HAMASAKI, ASAKA, SAITAMA 351-0033, JAPAN,  
 TEL:+81-48-474-2235 FAX:+81-48-474-7373  
<http://www.goyooptical.com> E-MAIL:info@goyooptical.com

For design help, accessories or pricing, please contact:  
 sales@avsupply or call: 1-858-565-1101

**AUDIOVIDEO SUPPLY**  
 1-800-284-2288 sales@avsupply.com  
[www.avsupply.com](http://www.avsupply.com)