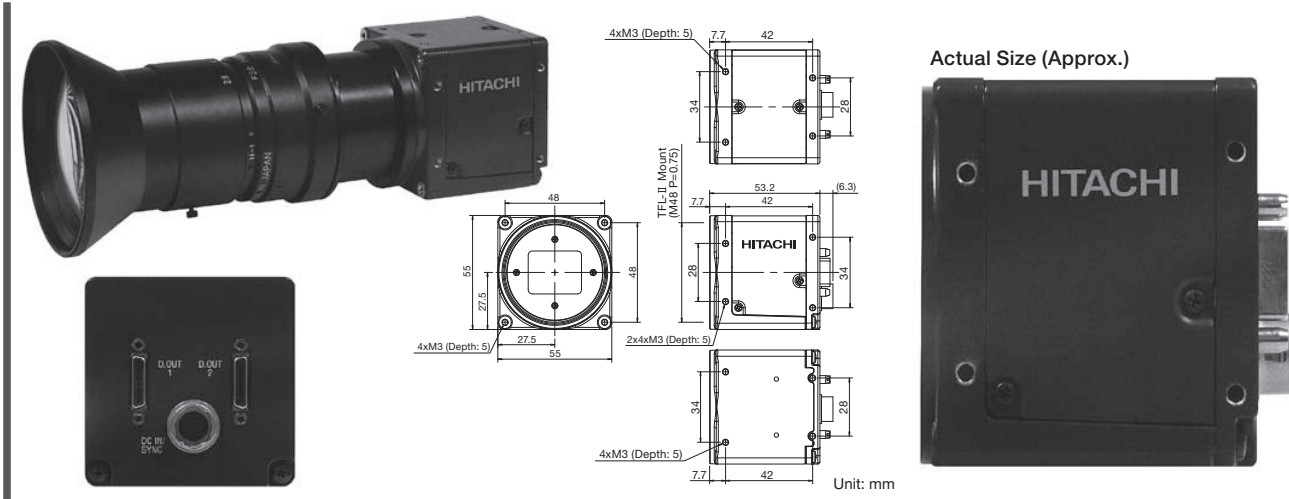


# Digital Interface Cameras

<b>KP-FM1200CL</b>	CameraLink	1CMOS Black & White	1.7" CMOS	12.58 M pixels (4096 x 3072)	Max. 53 frames per sec.	55(W) × 55(H) × 45(D) mm
--------------------	------------	------------------------	-----------	---------------------------------	-------------------------	--------------------------



Imaging device	Total pixels	1.7-inch global shutter system CCD		
	Effective pixels	4096(H) x 3072(V)		
	Pixel size	5.5 μm(H) x 5.5 μm(V) (square lattice)		
Sensing area	22.5 mm (H) x 16.9 mm (V)			
Scanning system	Progressive			
Aspect ratio	4 : 3			
Frame rate (Max.)	53 frames per second (full pixel readout)			
Horizontal drive frequency	42.0000 MHz			
Horizontal Scanning frequency	Full configuration (84 MHz): 162.79 kHz Medium configuration (84 MHz): 81.396 kHz Base configuration (84 MHz): 40.698 KHz	Full configuration (42 MHz): 81.396 kHz Medium configuration (42 MHz): 40.698 kHz Base configuration (42 MHz): 30.348 kHz		
Vertical Scanning frequency	Full configuration (84 MHz): 52.752 Hz Medium configuration (84 MHz): 26.426 Hz Base configuration (84 MHz): 13.226 Hz	Full configuration (42 MHz): 26.426 Hz Medium configuration (42 MHz): 13.226 Hz Base configuration (42 MHz) : 6.615Hz		
Vertical subsampling Modes	OFF (1 times) / 2 times / 3 times / 4 times / 5 times / 6 times / 7 times / 8 times / 9 times / 10 times			
Sync system	Internal			
Lens mount	TFL-II Mount (Flange focal distance =17.5 mm), (F-mount adaptor: Option)			
Video output	Base configuration 2TAP (84 MHz or 42 MHz) Medium configuration 4TAP (84 MHz or 42 MHz) Full configuration 8TAP (84 MHz or 42 MHz) Output image size: 4096(H)×3072(V)(pixel readout)			
Resolution	Horizontal/Vertical: 3000 TV lines			
Sensitivity	400 lx, F5.6, 3200 K (Exposure time: 100μs)			
Minimum illumination				
S/N	48 dB			
Electric shutter	OFF, 1/60, 1/100, 1/250, 1/500, 1/1000, 1/2000, 1/10000, 1/20000 second OFF is normal exposure (frame rate) or changeable by variable shutter (40.5μs to 1.0s, 49.1μs step)			
Gain	1 to 4 times			
Offset level	0/255 to 127/255			
Gamma	γ=1			
Frame on demand	Mode	Fixed shutter (8 steps or variable), ONE trigger mode		
	Trigger input	Camera Link (CC1) or DCIN/SYNC connector		
Partial scan	Selectable start position and height of picture grabbing in 4H step, Up to 8 areas can be set			
Pulse output	OFF/FLASH OUT/VD OUT			
Power supply voltage	12 ± 1 VDC			
Current consumption	Approx. 330 mA (approx. 4 W)			
Ambient temperature	Performance	0 to +40 °C (+32 to +104 °F), less than 90 % RH		
	Operation	-10 to +50 °C (+14 to 122 °F), less than 90 % RH		
	Storage	-20 to +60 °C (-4 to 140 °F), less than 70 % RH (without dew condensation)		
Vibration endurance	10 to 55Hz (2.37 to 71.7m/S <sup>2</sup> ), Sweep 1minute, 30 minutes for each 3 axis			
Shock endurance	490.3 m/s <sup>2</sup> (Once for each side of top, under, left and right)			
External dimensions	55 (W) x 55 (H) x 45 (D) mm (Not includingmount protrusions)			
Mass	Approx. 250 g			