

Ax63C 3MP Day/Night with ABF



Features

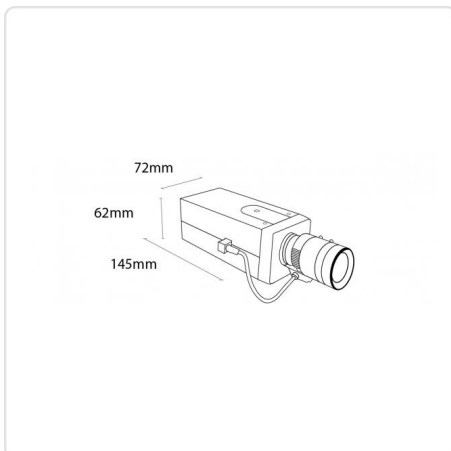
- ✓ Superb image quality with 3MP @ 30fps
- ✓ H.264/MJPEG triple streaming
- ✓ Built-in Auto Back Focus (ABF) for easy focus adjustment
- ✓ 2x Alarm Inputs, 2x Alarm Outputs, Two-way Audio
- ✓ True Day & Night by mechanically removable ICR
- ✓ Superior bright light and ultra low-light performance

Description

i3 's Ax63C megapixel IP box camera features 3MP video resolution and a built-in auto back focus (ABF) for easy focus adjustment and the perfect view.

Perfect for the specialty and long range shots, Ax63C is compatible with 2.8-8mm and 15-50mm lenses (sold separately) to meet the customers' field of view requirements.

Corridor view is available for users that would like to view a hallway or a single store aisle. For the installations requiring edge recording redundancy, Ax63C camera supports microSD card (sold separately). For outdoor or extreme cold installations, combine with i3-6801HB or i3-6801HBR (with IR) housing.



Specifications

Image System	
Image Sensor	Progressive Scan CMOS 1/2.8
Signal System	NTSC/PAL
Maximum Framerate vs Resolution	3MP (2048x1536) @ 30/25fps
Supported Resolutions	3MP (2048x1536), 1080p (1920x1080), 1.3Mp (1280x960), 720p (1280x720), 320x176

Optical System	
Iris Control	Auto (DC) iris control
Focal Length	Lens sold separately
F-stop Range (F-number)	Lens sold separately
Horizontal FOV (Field of View)	Lens sold separately
Day/Night	True D&N by mechanically removable IR-cut filter (ICR) with modes control
ABF	External ABF (Automatic Back Focus) control
Defog Control	Digital defog
Lens Mount	CS mount (Lens sold separately)

Electric	
Wide Dynamic Range (WDR)	Digital WDR
Minimum Illumination	Color: 0.06 lux at 50 IRE, F1.4 (approx.) B/W: 0.03 lux at 50 IRE, F1.4
Electric Shutter	NTSC: 1/7.5~1/10,000s PAL: 1/6.5~1/10,000s
Back Light Compensation (BLC)	Multi-metering Back Light Compensation
Head Light Compensation (HLC)	Yes
On-board (Edge) Storage	1 x microSD/SDHC/SDXC slot up to 64GB. Card sold separately.
Alarm In/Out	Alarm In x2, Alarm Out x 2

Network Specifications	
Video Streaming and Compression Method	Triple Streaming H.264 / MJPEG
Network Protocols	ARP, DHCP, DNS, FTP, HTTP, HTTPS, ICMP, IGMP, IPv4/6, NTP, RTSP/RTCP/RTP, QoS, SMTP, SNMP, TCP, TLS/TLS, UDP, UPnP, 802.1X
Security Access	Multiple privilege control with password protection
Users	1 Administrator, 5 Viewers/Operators

Audio	
Audio Standard	G.711 a/μ-law support
Audio Input	1
Audio Output	1
Mic Support	i3-recommended microphone (sold separately)

Other Features	
Other	Privacy Mask, Corridor View, Edge Motion and Tampering Detection, Audio Intensity Detection, Network Loss Detection, White Balance, Auto/Manual Gain

Mechanism	
Dimensions (L x W x H)	72 x 145 x 62mm (2.83 x 5.7 x 2.44")
Weight	approx. 725g (1.6 lb)
Connectors	Network: RJ45 Power connector: DC12V/AC24V, 2-pin spring terminal 1x RS-485: for factory use 1x Audio In/Out: terminal block 2x Alarm In: terminal block 2x Alarm Out: terminal block MicroSD slot Mini USB: for factory use

Power Supply	
Power Requirement	DC12V / AC24V / IEEE 802.3af (PoE), class 3 compliant
Power Consumption (max.)	8W

Environment	
Operating Temperature	-10°C ~ 50°C (14°F ~ 122°F)
Operating Humidity	<90%, non-condensing
Power-on Temperature	-10°C (14°F)

Regulations, Ratings	
Regulations, Ratings	FCC Class B, CE, RoHS, REACH, UL/cUL 60950-1, ONVIF Profile S/G/Q

Warranty	
Warranty	5 years parts, 1 year labor

Related Products



D-i3-6800HB
D-i3-6800HB
Camera Housing



i3-6801HB
i3-6801HB
Vandal-proof,
Side-opening
Housing &
Bracket



i3-6801HBR
i3-6801HBR Di-
Cast Alum
Housing



IP01P
IP01P PoE over
Coax Extender,
300 ft



IP09CP
IP09CP PoE over
Coax Extender,
1000 ft



L16
L16 12MP, 10-
50mm lens for
Ax63C, Ax83C,
H59C



L3
L3 3MP, 2.8-
12mm lens for
Ax63C



PS-AC25A18U
PS-AC25A18U
Power Supply



© 2023 i3 International Inc. The i3 logos are property of i3 International Inc. & i3 America (Nevada) Inc. All rights reserved. Specifications, configurations, components and options are subject to change without notice. This Data sheet may not be reproduced without permission. References in the publication to i3 International products and services do not imply that i3 International intends to make them available at all times.