

Fixed Cameras

High-res, 550 TVL cameras



OVERVIEW

TruVision™ 550 TVL fixed analog cameras offer excellent video quality and multiple features for a variety of surveillance applications. This comprehensive family of high-resolution, full-featured cameras includes professional IR and economy options.

Engineered for 550 TVL resolution and 0.5 lux sensitivity, TruVision economy cameras provide complete, cost-effective security.

With features such as built-in IR illuminators for enhanced low light performance, in addition to easy installation and operation, TruVision cameras are well suited for a range of budgets and applications.

STANDARD FEATURES

Indoor Box Camera

- True day/night surveillance
- Auto-iris lens support
- DIP switch for easy configuration

Indoor Dome Camera

- Digital day/night surveillance
- 3.6mm fixed lens

IR Bullet Camera

- Built-in IR illuminators
- True day/night surveillance
- 3.6mm fixed lens
- IP67 rating for weather-resistant performance
- Includes bracket

IR Turret Camera

- Built-in IR illuminators
- True day/night surveillance
- 3.6mm fixed lens
- IP66 rating for weather-resistant performance
- Omni-directional design

Specifications

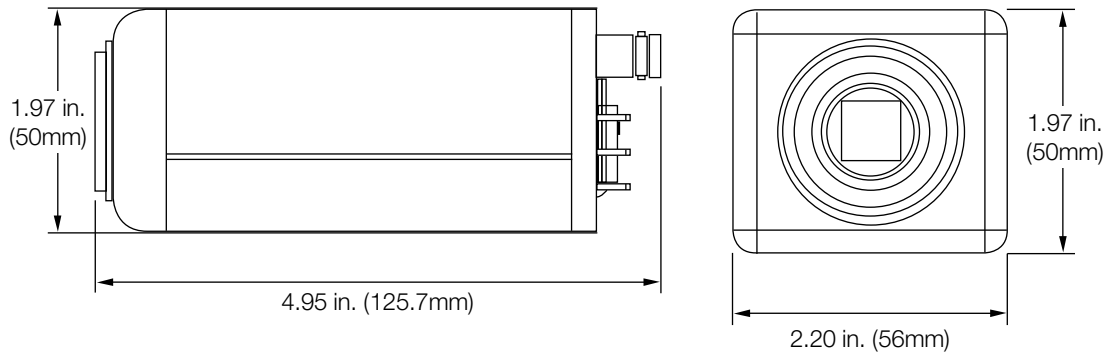
Model	TVC-5120-1-N (-P)	TVD-5110-3-N (-P)	TVC-5125BE-3-N (-P)	TVD-5125TE-3-N (-P)
				
Pickup device	1/3" CCD Sensor	1/3" CMOS Sensor	1/3" CMOS Sensor	1/3" CMOS Sensor
Total pixels (H x V)	NTSC: 811 x 508 PAL: 795 x 596	NTSC/PAL: 762 x 504	NTSC/PAL: 762 x 504	NTSC/PAL: 762 x 504
Effective pixels (H x V)	NTSC: 768 x 494 PAL: 752 x 582	NTSC/PAL: 728 x 488	NTSC/PAL: 728 x 488	NTSC/PAL: 728 x 488
Resolution	550 TVL	550 TVL	550 TVL	550 TVL
Synchronization System	Internal	Internal	Internal	Internal
Scanning Mode	2:1 interlace	2:1 Interlace	2:1 Interlace	2:1 Interlace
S/N Ratio	52 dB (AGC OFF)	>50 dB	>50 dB	>50 dB
Electronic Shutter	Auto 1/60 (1/50)	Auto 1/60 (1/50)	Auto 1/60 (1/50)	Auto 1/60 (1/50)
Minimum Illumination	0.5 lux at F1.2	0.5 lux at F1.2	0 lux with IR On	0 lux with IR On
Video Output	1.0Vp-p/75ohm composite	1.0Vp-p/75ohm composite	1.0Vp-p/75ohm composite	1.0Vp-p/75ohm composite
Lens Type	C/CS.DC	3.6 mm fixed lens	3.6 mm fixed lens	3.6 mm fixed lens
IR Cut	Yes	NA	Yes	Yes
IR Distance	NA	NA	10 m (33 ft.)	10 m (33 ft.)
IR Trigger	NA	NA	7 lux ± 3 lux IR On / Off	7 lux ± 3 lux IR On / Off
Power Source	12 VDC	12 VDC	12 VDC	12 VDC
Current	85 mA	50 mA	60 mA (IR Off) 175 mA (IR On)	60 mA (IR Off) 180 mA (IR On)
Power Consumption	Max. 1 W	Max. 0.6 W	Max. 2 W	Max. 2 W
Operating Temperature	-30 to +50°C (-22 to 122°F)	-30 to +50°C (-22 to 122°F)	-30 to +50°C (-22 to 122°F)	-30 to +50°C (-22 to 122°F)
Operating Temperature (cold start)	-10 to +50°C (14 to 122°F)	-10 to +50°C (14 to 122°F)	-10 to +50°C (14 to 122°F)	-10 to +50°C (14 to 122°F)
Dimensions	4.9 x 2.2 x 2.0 in. (126 x 56 x 50 mm)	3.86 x 2.34 in. (99 x 60 mm)	2.0 x 2.1 x 2.54 in. (50 x 55 x 65 mm)	3.67 x 2.7 in. (94 x 70 mm)
Weight	305g (0.67 lb.)	135g (0.29 lb.)	320g (0.7 lb.)	320g (0.7 lb.)
Weatherproof	Indoor	Indoor	IP67	IP66

Application Guide

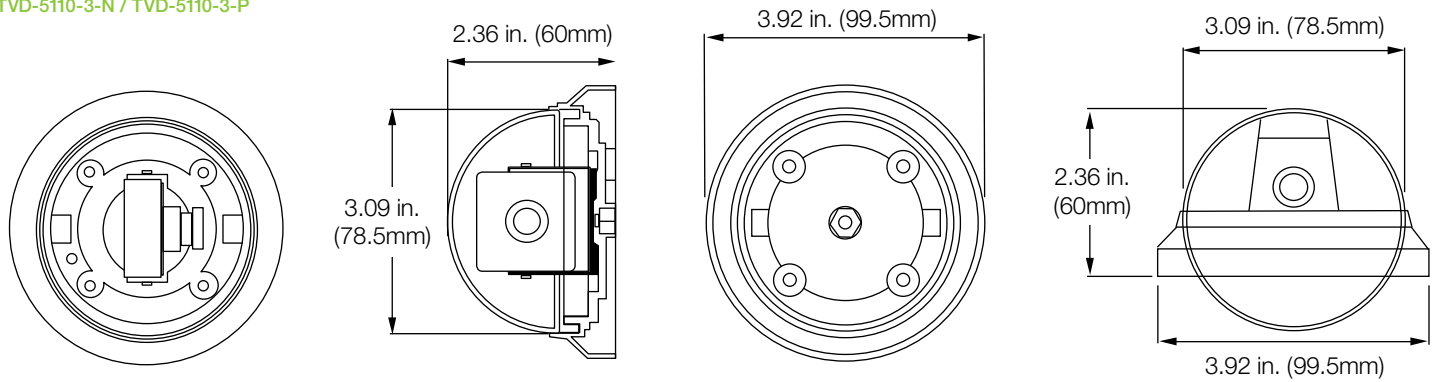
Camera Environments	Indoor Box	Indoor Dome	IR Bullet	IR Turret
Indoor Buildings	•	•	•	•
Exterior Buildings			•	•
Retail Environments	•	•	•	•
Office Environments	•	•	•	•
Parking Garages			•	•
Extreme Low Light			•	•

Dimensional Diagrams

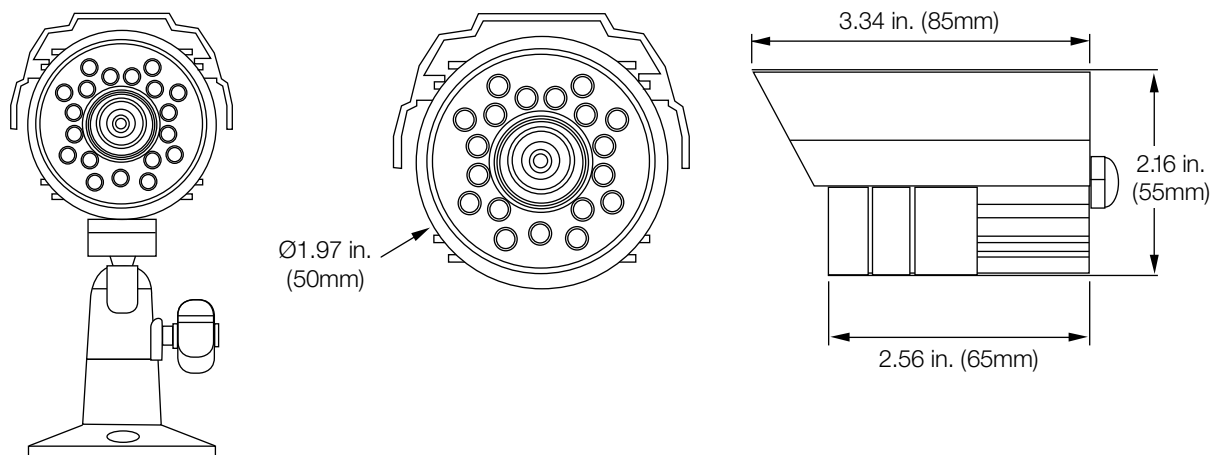
TVC-5120-1-N / TVC-5120-1-P



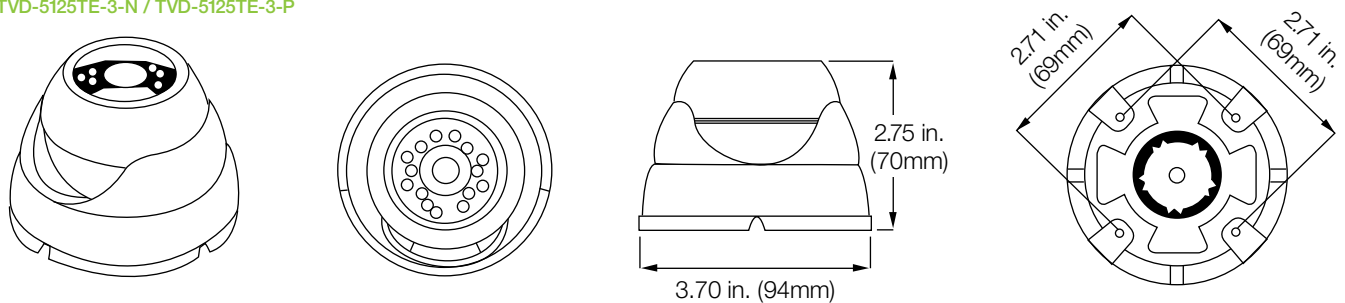
TVD-5110-3-N / TVD-5110-3-P



TVC-5125BE-3-N / TVC-5125BE-3-P



TVD-5125TE-3-N / TVD-5125TE-3-P



Fixed Cameras

High-res, 550 TVL cameras

North America
T 855-286-8889

Asia
T 852-2907-8108

Australia
T 61-3-9239-1200

Europe
T 32-2-725-11-20

Latin America
T 561-998-6114

Ordering Information

TVC-5120-1-N	TruVision 550TVL Box camera, True D/N, 12VDC, NTSC
TVC-5120-1-P	TruVision 550TVL Box camera, True D/N, 12VDC, PAL
TVD-5110-3-N	TruVision 550TVL indoor dome, Digital D/N, Fixed lens 3.6mm, 12VDC, NTSC
TVD-5110-3-P	TruVision 550TVL indoor dome, Digital D/N, Fixed lens 3.6mm, 12VDC, PAL
TVC-5125BE-3-N	TruVision 550TVL Bullet, outdoor, True D/N, IR illumination, Fixed lens 3.6mm, 12VDC, NTSC
TVC-5125BE-3-P	TruVision 550TVL Bullet, outdoor, True D/N, IR illumination, Fixed lens 3.6mm, 12VDC, PAL
TVD-5125TE-3-N	TruVision 550TVL Turret, outdoor, True D/N, IR illumination, Fixed lens 3.6mm, 12VDC, NTSC
TVD-5125TE-3-P	TruVision 550TVL Turret, outdoor, True D/N, IR illumination, Fixed lens 3.6mm, 12VDC, PAL

Specifications subject to change without notice.

© 2012 Interlogix. All rights reserved.

208-3552 2012/08 (71412A)



interlogix.com