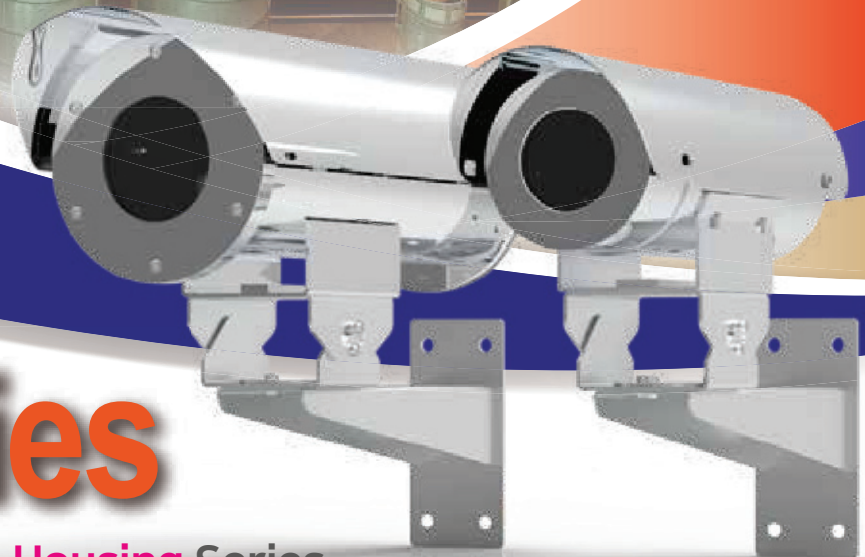


ALSO/KEVIS CCTV CAMERA HOUSING SERIES

Corrosion Resistant Special Housing



KSH-series

Corrosion Resistant Special Housing Series

KSH Series

- Stainless Steel (SUS 314/316) Special Indoor/Outdoor Housing
- Supports Various Size Cameras and Lenses
- IP66 Rated
- Sliding Rear Open Design
- Optional Stainless Steel Wall Mount Bracket

POSITIONING / PAN-TILT / IR PTZ / HOUSING / BRACKET / RACK / OTHERS

KEVIS

KSH-7110S Corrosion Resistant

Corrosion Resistant Special Housing

Housing Series



Specifications

Model name	KSH-7110S
Usage	Indoor / Outdoor Housing
Open Type	Rear slide opening and closing method
Material	SUS-316L
Cable Setting	Rear Input / SUS Gland Cable 2Pcs
Unit Weight	4.3kg
IP Rating	IP66
IK Rating	IK10 (Option)
Power	Input 24V AC / 230V AC
	Heater (20W / 40W)
	Blower (DC 12V / AC 230V)
	Defroster (10W)
	POE IEEE 802.3at / af (Option)
Network Option	SMPS Output DC 12V / AC 24V (Option)
	EOC - Ethernet over Coax
Window Option	Fiber - IP over Fider Optic
	Germanium - Thermal Solution
	AR (Anti-Refirection) coating - HD Camera
Dimensions	DLC (Diamond-like Carbon)
	Inside (72mm x 100mm x 300mm)
	Outside (99mm x 110mm x 321mm)
	Glass (Diameter Ø48mm)

· IP66 (Ingress Protection, International Dustproof / Waterproof) is applied when installed and assembled correctly.

Environmental

Temperature of use	-50°C~+45°C (Option)
--------------------	----------------------

※ Designs and Specifications may differ from the latest products, please contact our sales for the update.

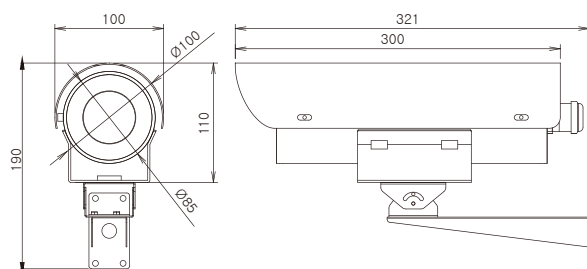
Features

- Corrosion and Chemical Resistance
- Stainless Steel (SUS-316L) Housing
- Supports Various Size Cameras and Lenses
- IP66 Rated
- Sliding Rear Open Design
- Optional Stainless Steel Wall Mount Bracket
- Available Options : Heater / Blower / Defroster / SMPS / POE / EOC

* SH-7110S housings is made of high-quality 316L stainless steel, designed to operate in extreme environments such as marine, industrial, chemical and where external agents are highly corrosive.

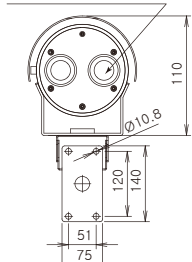
Drawings

UNIT(mm)



FRONT VIEW

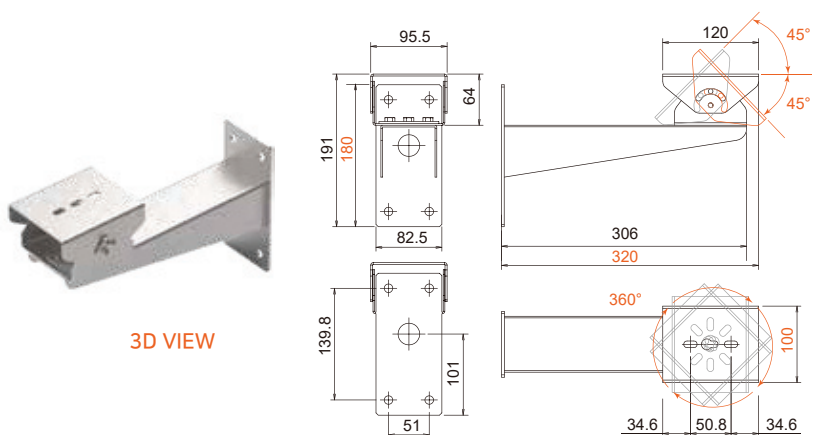
SUS GLAND CABLE M22



REAR VIEW

Accessories

UNIT(mm)



3D VIEW

KSB-1000

Installation Type	Wall Mount
Material	SUS-316
Unit Weight	1.7kg
Weight	30Kg
Dimensions (mm)	100(W) x 180(H) x 320(L) mm



Specifications

Model name	KSH-7140S
Usage	Indoor / Outdoor Housing
Open Type	Rear slide opening and closing method
Material	SUS-316L
Cable Setting	Rear Input / SUS Gland Cable 2Pcs
Unit Weight	7.5kg
IP Rating	IP66
IK Rating	IK10 (Option)
Power	Input 24V AC / 230V AC
	Heater (20W / 40W)
	Blower (DC 12V / AC 230V)
	Defroster (10W)
	POE IEEE 802.3at / af (Option)
Network Option	SMPS Output DC 12V / AC 24V (Option)
	EOC - Ethernet over Coax
Window Option	Fiber - IP over Fider Optic
	Germanium - Thermal Solution
	AR (Anti-Refirection) coating - HD Camera
Dimensions	DLC (Diamond-like Carbon)
	Inside (100mm x 100mm x 350mm)
	Outside (170mm x 175mm x 560mm)
	Glass (Diameter Ø78mm)

· IP66 (Ingress Protection, International Dustproof / Waterproof) is applied when installed and assembled correctly.

Environmental

Temperature of use	-50°C~+45°C (Option)
--------------------	----------------------

※ Designs and Specifications may differ from the latest products, please contact our sales for the update.

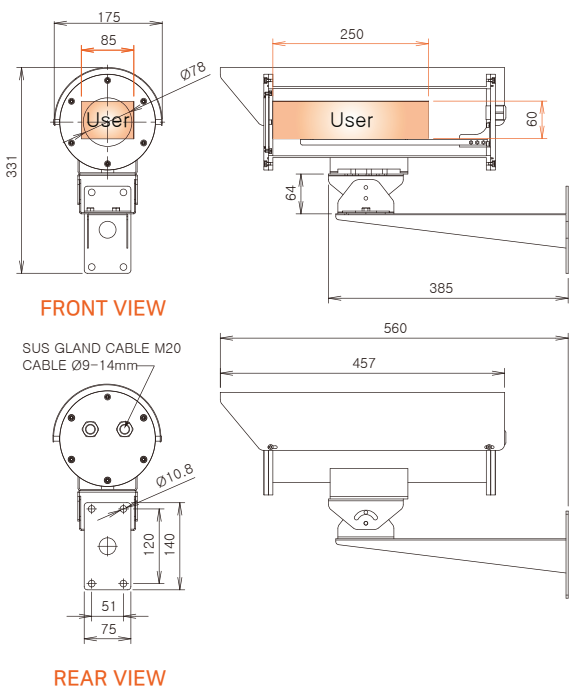
Features

- Corrosion and Chemical Resistance
- Stainless Steel (SUS-316L) Housing
- Supports Various Size Cameras and Lenses
- IP66 Rated
- Sliding Rear Open Design
- Optional Stainless Steel Wall Mount Bracket
- Available Options : Heater / Blower / Defroster / SMPS / POE / EOC

* SH-7140S housings is made of high-quality 316L stainless steel, designed to operate in extreme environments such as marine, industrial, chemical and where external agents are highly corrosive.

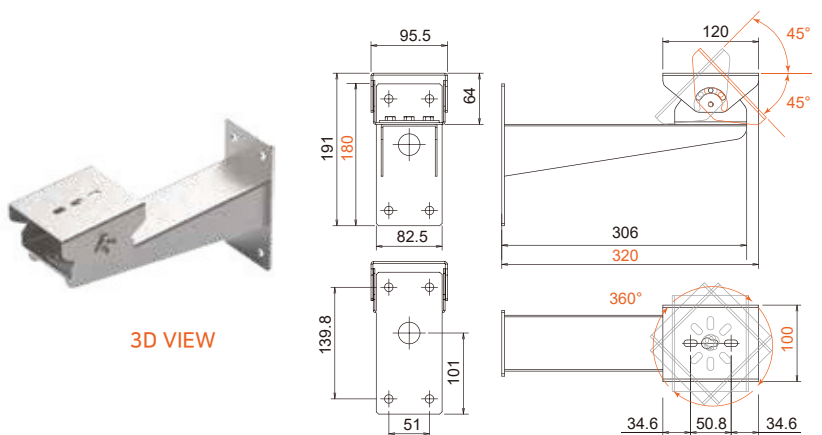
Drawings

UNIT(mm)



Accessories

UNIT(mm)



KSB-1000

Installation Type	Wall Mount
Material	SUS-316
Unit Weight	1.7kg
Weight	30Kg
Dimensions (mm)	100(W) x 180(H) x 320(L) mm