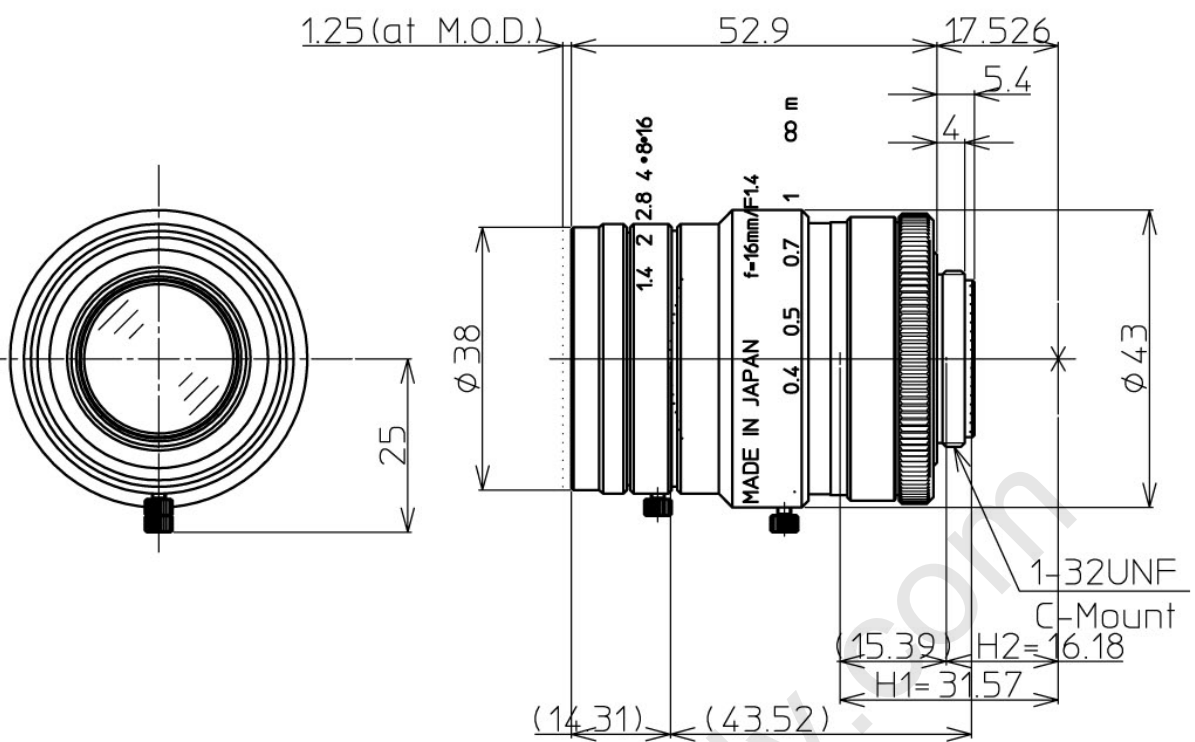


Distributed By: Audio Video Supply -- Tel: 1-800-284-2288 -- www.avsupply.com



		1" 1.4/16mm	2/3"	1/2"
FOCAL LENGTH		f=16mm		
MAX. DIAMETER (RATIO)		F=1:1.4~16		
PICTURE SIZE		12.8x9.6mm	8.8x6.6	6.4x4.8
ANGLE	VER. ANGLE	33.6°	23.2°	16.9°
	HOR. ANGLE	44.3°	30.8°	22.5°
	DIA. ANGLE	54.4°	38.3°	28.1°
DISTORTION (TV)		-1.0%	-0.7%	-0.4%
MINIMUM FOCUS DISTANCE		0.65m ~ ∞ (@1500nm)		
FLANGE BACK		17.526 mm in air		
BACK FOCUS		12.6mm in air		
FILTER SCREW SIZE		M35.5x0.5		
FRONT/REAR EFFECTIVE DIA.		Front Ø21.5mm Rear Ø18.8mm		
MOUNT		C-MOUNT		
EXIT PUPIL		-128.5mm		
TEMPERATURE RANGE		-10~+50° C		
STORAGE TEMPERATURE RANGE		-20~+60° C		
RESOLUTION		Center 120lp/mm Corner 80lp/mm		
WEIGHT		140g		



			LM16HC-SW
			1" F1.4 f=16mm
2011.06.07			

For design help, accessories or pricing, please contact:
 sales@avsupply or call: 1-858-565-1101

AUDIOVIDEO SUPPLY
 1-800-284-2288 sales@avsupply.com
 www.avsupply.com