

AUDIO VIDEO SUPPLY

ATC-HZ7810LSC

AF Zoom Camera



Features

- 1/2.8" SONY EXMOR Progressive Scan CMOS
- 120x AF Zoom (10x Optical Zoom, 12x Digital Zoom)
- 1080P 30fps(25fps)
- Mechanical Day & Night
- Digital WDR, 3D DNR, Defog
- Multi Protocol(Compatible with SONY)
- HD-SDI, LVDS(Digital OUT), CVBS, RS232 TTL

Electrical Specifications

Image Sensor	1/2.8" Exmor CMOS image sensor
Effective Pixels	2.38 million pixels
Resolution	1080P (1920x1080)
Sensitivity	Day Mode :0.15 Lux @ F1.5 Night Mode :0.01 Lux @ F1.5
S/N Rate	More than 52 dB
Synchronization	Internal
Back Light Compensation	OFF/BLC/HLC/WDR
White Balance	Auto / ATW / Indoor / Outdoor / Push / Manual
Shutter Speed	1/25(30)/1/50(60) ~ 1/60000 sec
OSD	English
Motion Detection	3 Area
Privacy Zone Masking	1~24, Privacy mask zone
Picture Effects	Freeze, Image Reverse(H, V, H/V), Nega
Camera Control Protocol	SONY VISCA, Baud Rate : 9.6 Kbps
Video Output	HD-SDI, LVDS(Digital OUT) CVBS 1Vp-p (75 Ω)
Power Supply	12VDC (7V to 15VDC)
Power Consumption	Max 4.4 W

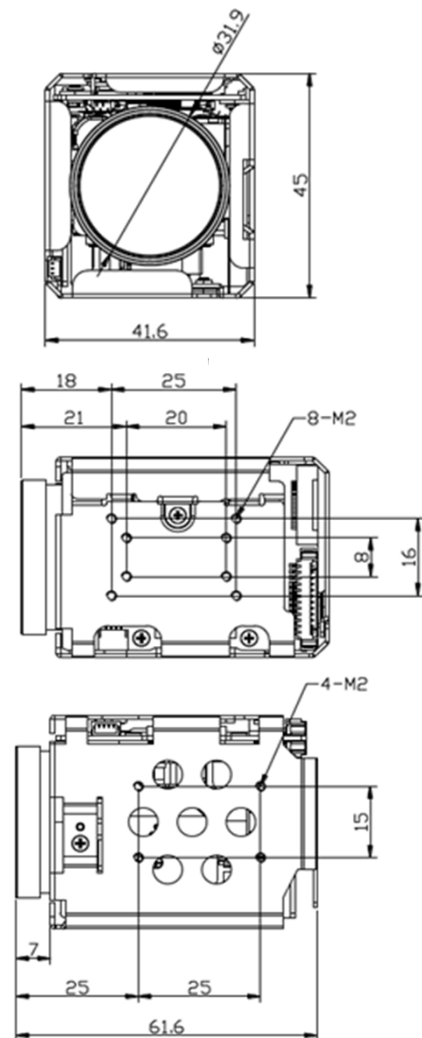
Mechanical Specifications

Dimensions (WxHxD)	41.6mm x 45mm x 61.6mm
Lens	f=5.1mm ~ 51mm (F1.6 ~ 1.8F)
Zoom Rate	Optical to 10x Digital to 12x
Min. Working Distance	0.01m(Wide) / 1.0m (Tele)
FOV	D=68.0°(W) ~ 6.7°(T)
Aperture	DC Iris
Mechanical D&N	ICR(IR Cut filter Removable)
Interfaces	30 pin LVDS
Weight	Approx. 210g

Environmental Specifications (Internal)

Ambient Operating Temp.	-10° to +50° C
Storage Temperature	-20° to +60° C

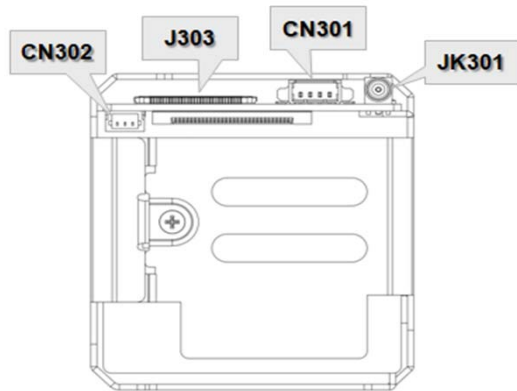
Dimensions(Unit:mm)



ATC-HZ7810LSC

AF Zoom Camera

Pin Assignment



CN302 053047-0310, Pitch 1.25mm

NO	NAME	Description
1	GND	-
2	RXD	RS232 TTL
3	TXD	RS232 TTL

JK301 MMCX Jack Connector

NO	NAME	Description
1	SDI	HD-SDI Output
2	GND	-

CN301 053047-0410, Pitch 1.25mm

NO	NAME	Description
1	DC 12V	POWER IN
2	GND	GND
3	CVBS_OUT	CVBS _ Output
4	AD_KEY	AD key Input

J303

Ref. USL00-30L-C (KEL Corp.)

NO	NAME	Description
1	TX_OUT3(+)	LVDS OUT3(+)
2	TX_OUT3(-)	LVDS OUT3(-)
3	TX_CLKOUT3(+)	LVDS CLK OUT3(+)
4	TX_CLKOUT3(-)	LVDS CLK OUT3(-)
5	TX_OUT2(+)	LVDS OUT2(+)
6	TX_OUT2(-)	LVDS OUT2(-)
7	TX_OUT1(+)	LVDS OUT1(+)
8	TX_OUT1(-)	LVDS OUT1(-)
9	TX_OUT0(+)	LVDS OUT0(+)
10	TX_OUT0(-)	LVDS OUT0(-)
11	GND	GND
12	TXD	RS232 TTL
13	RXD	RS232 TTL
14	+12V_IN	POWER_IN
15	+12V_IN	POWER_IN
16	+12V_IN	POWER_IN
17	+12V_IN	POWER_IN
18	+12V_IN	POWER_IN
19	GND	GND
20	GND	GND
21	TX_OUT7(+)	LVDS OUT7(+)
22	TX_OUT7(-)	LVDS OUT7(-)
23	TX_OUT6(+)	LVDS OUT6(+)
24	TX_OUT6(-)	LVDS OUT6(-)
25	CVBS_OUT	CVBS Output
26	RESET_IN	Camera Reset Input
27	TX_OUT5(+)	LVDS OUT5(+)
28	TX_OUT5(-)	LVDS OUT5(-)
29	TX_OUT4(+)	LVDS OUT4(+)
30	TX_OUT4(-)	LVDS OUT4(-)