



INNOVATIVE
HIGH DEFINITION SURVEILLANCE

www.ktncusa.com



9CH High Resolution 960HDVR

960H / H.264 / Real-Time at WD1
Free Mobile App (Android, iOS) Live / Play, 1-9 Camera View
Email Notification / CMS Control / HDMI Output / Two-Way Audio
Loop Out / Gigabit Ethernet / Free DDNS / IE, MAC Client
1024CH CMS / Mirror Recording
3 Year Warranty

K9-a900

For design help, accessories or pricing, please contact:
sales@avsupply or call: 1-858-565-1101

AUDIOVIDEO SUPPLY
1-800-284-2288 sales@avsupply.com
www.avsupply.com



4GB
USB Memory
Included for backup



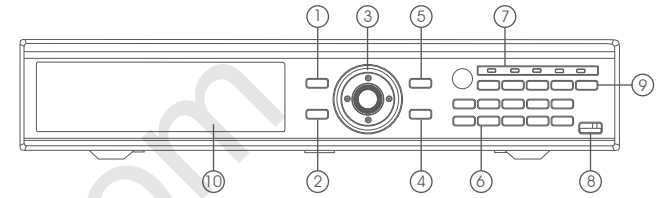
K9-a900

Key Features

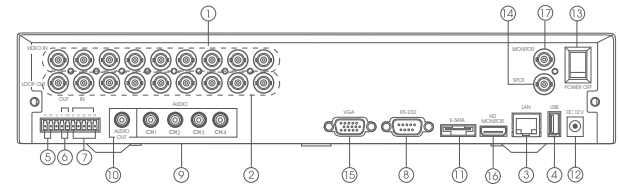
- 9CH WD1 960 x 480 recording delivers 36% more detail than traditional 4 CIF (704 x 480)
- H.264 Compression for efficient HDD utilization
- WD1 real-time live display, recording and playback on all channels
- HDMI + VGA + BNC main monitor outputs support any type of display
- Call monitor: additional composite BNC output for sequential and/or event camera display
- Simultaneous high bandwidth recording (480 NTSC / 400 PAL @WD1) with dual-codec recording for reduced bandwidth remote viewing
- Pentaplex Operation (Simultaneous live, recording, playback, archiving and remote viewing)
- Search video by date and time; by alarm/event; from a bookmark; or scan a color coded graphical display of record trigger (e.g. event, motion, etc.) versus time and move directly to the time of interest.
- Free DDNS Service - static IP address is not required for reliable remote access
- User friendly GUI with graphical icons and visual indicators
- Accepts dual internal 3 Tb HDDs for extended recording, Supports eSATA external HDD (Single Drive up to 3 TB)
- Free iOS and Android app: single and quad live & playback, with audio, PTZ and relay control
- Multiple Control Inputs: mouse / front panel / hand held IR remote controller
- Remote configuration support from built-in web interface and/or free CMS program
- Gigabit Ethernet interface for remote network viewing and control
- On-screen PTZ control via mouse or front panel
- Built-in DVD burner (Optional - replaces one HDD)
- Four channel audio recording capabilities and two-way audio
- USB 2.0 ports on front and rear panels for video archive and mouse usage
- Free Windows CMS with multiple monitor support displays up to 1024 cameras
- Free MAC Client software connects to individual sites for live view and playback
- Multi-language support
- 19" Rack mountable - rack ears included
- USB mouse, IR remote, 4GB USB memory included
- 3 Year warranty



Major Operating Controls

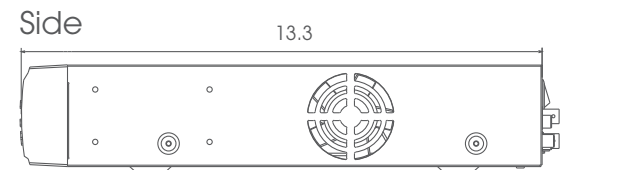
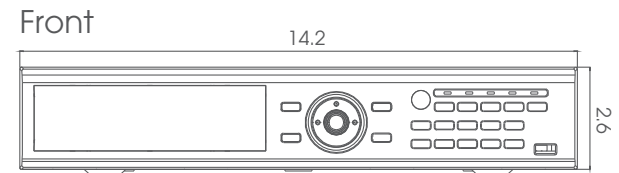


1. Menu: Display/Cancel a Menu
2. Audio: Display Audio listening menu
3. Direction Buttons: Navigate menu, control, playback
4. Backup: Display backup functions for video data
5. Pan / Tilt: Display Pan / Tilt menu
6. Number: Channel selection or number input
7. Status LEDs: Show status of Power, Recording, Remote Access, Schedule Recording and Emergency Recording
8. Front USB Port: USB Connecting slot
9. Function Buttons: Display split, sequence, schedule record, emergency record
10. ODD: Optional DVD Drive



- | | | |
|------------------|------------------|-----------------------------|
| 1. Video Inputs | 7. Sensor Input | 13. Power Switch |
| 2. Loop Through | 8. Service Use | 14. Spot Monitor Out |
| 3. Gb/S Ethernet | 9. Audio Input | Main Monitor Outputs |
| 4. USB 2.0 Port | 10. Audio Output | 15. VGA |
| 5. RS-485 | 11. E-SATA Port | 16. HDMI |
| 6. Alarm Output | 12. Power Input | 17. Composite |

Dimensions (Unit: Inches)



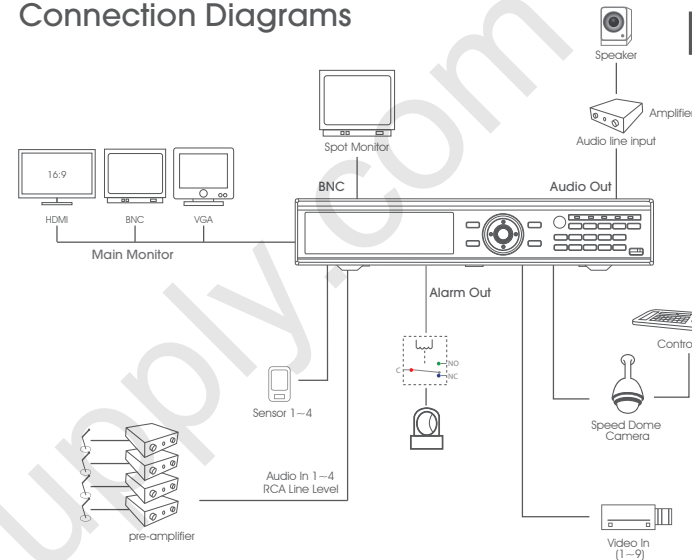
KT&C America, Inc. reserves the right to make changes to improve our products at any time without notice; we are not responsible for misprints.

For design help, accessories or pricing, please contact:
sales@avsupply or call: 1-858-565-1101

Technical Specification

| | |
|-----------------------------------|--|
| Input Channels (BNC) | 9 |
| Video Format | NTSC/PAL Automatic Select |
| Compression Format | H.264 |
| Recording Rate / Resolution (Max) | 270 NTSC / 225 PAL WD1 / 960 x 480, 960 x 240, 480 x 240 |
| Dual Codec Support | OFF or ON for CIF (360 x 240) video stream for multiple image remote viewing bandwidth conservation, with per channel image quality (5 levels) & FPS (up to 120 total FPS) Single camera viewing is at main stream record settings |
| Free PC CMS Support | Unlimited sites from 1 to 1024 cameos per screen, quadruple monitor support, Emap support and Network Attached Storage Service (NASS) for scheduled backup from DVRs to PC drives |
| Free MAC Client | Client software connects to individual sites for live view and playback |
| Mobile Viewing Support | Free KVRMobile app for iPhone and Android. Live and Playback single / quad view, PTZ control with presets, relay control, two way audio & screen snapshot capture. Up to 16 camera views on most Android tablets. |
| Pentaplex Operation | Simultaneous Live, Recording, Playback, Archive and Remote Viewing |
| Main Monitor Out | HDMI / VGA (1080p – 1920 x 1080) & BNC (CVBS) |
| Split Modes | 1,4,6,9 |
| Call Monitor Output | BNC (CVBS) displays sequential and / or event video |
| Audio Inputs | 4 x RCA Line Level Inputs |
| Audio Compression | G723.1 |
| Audio Outputs | 1 x RCA Line Level Output; volume adjustable |
| Recording Modes | Continuous / Schedule plus Emergency / Sensor / Motion / Sensor + Motion with Pre (10 second) & Post (30 second ~ 30 minute) Alarm Recording |
| Playback Search | Calendar, Date & Time, Event Search, Bookmark |
| Playback Speed | X1, x2, x4, x8, x16, x32 |
| Alarm Inputs | 4 (programmable NO / NC) |
| Alarm Out | 1 (SPST) |
| Playback Pause/FF/FR | Yes |
| Video Loss Detection | Yes (with alarm actions) |
| Motion Detection | Yes (selectable area and sensitivity per channel) |
| Event Log | Yes (Motion, Sensor, Video Loss, System Actions, HDD Error) |
| Max HDD Capacity | 2 x Internal SATA HDD + 1 x External SATA HDD up to 3 Tb per HDD |
| RAID Function | Mirror record |
| External HDD | 1 x eSATA (single drive up to 3 TB) |
| Built-in DVD Burner | 5.25" DVD Burner (optional – replaces one HDD) |
| User Interface | GUI (Graphical User Interface) with front panel controls, mouse control, included IR remote |
| OS | Embedded Linux |
| Warranty | 3 Years |

Connection Diagrams



| | |
|-------------------------|---|
| Network / Protocol | 1 Gigabit Ethernet; TCP-IP / DHCP / PPPoE / DDNS |
| Easy Network Install | Windows DVR Net Configuration utility locates DVRs on network and allows configuration of network address / gateway / DNS / remote access ports |
| Control PTZ via OSD | Yes (via both local and remote interfaces) |
| USB | 2 USB 2.0 port (1 x front / 1 x rear panel) |
| Schedule Setting | Per channel / per day / in 30 minute increments |
| User Access | 3 Levels of User Access Defined |
| RS-232 | 9 pin D-sub (for future use) |
| RS-485 | 1 RS-485 (3 pin terminal connector) 1200 ~ 115200 baud; N / O / E Parity; 1 / 1.5 / 2 stop bits |
| Supported PTZ Protocols | Pelco D & P, Fastrax, Samsung, Philips, Honeywell, LG, DM; others (consult User Guide) Separate reverse control option for pan and tilt |
| Power Source | DC 12V, 5A, Max. from included supply operating from 100~240 VAC, 50 / 60 Hz. |
| Power Consumption | ~14 W |
| Operating Environment | 0 °C ~ 40 °C / 32 °F ~ 104 °F (20 ~ 80% humidity) |
| Dimensions (L x W x H) | 13.3" x 14.2" x 2.6" / 338 x 361 x 66 mm |
| Weight | ~9 lb. / 4.1 Kg plus HDDs |
| Included Accessories | USB mouse, IR Remote Control with batteries, Rack Mounting Ears and hardware; 4 Gb USB for video export contains DVR and CMS User Guide, Free Windows CMS, Mac Client Software and Utilities, HDD and Backup Viewer |
| Certifications | CE, FCC, RoHS |