



INNOVATIVE
HIGH DEFINITION SURVEILLANCE



KNC-Xi210HD

IP Box Camera

www.ktncusa.com

- Member of Onvif
- 3.27 Megapixel, 1/2.8" SONY Exmor CMOS
- C / CS Mount Lens
- Manual / DC Iris Lens
- True Day & Night with ICR Mechanism
- Min. Illumination of 0.625 Lux (Color), 0.31 Lux (B/W)
- Two-way Audio / PoE
- DC 12V / AC 24V Dual Power

IP

HDTV / Megapixel

Network

AUDIOVIDEO SUPPLY

1-800-284-2288 sales@avsupply.com
www.avsupply.com

For design help, accessories or pricing, please contact:
sales@avsupply.com or call: 1-858-565-1101



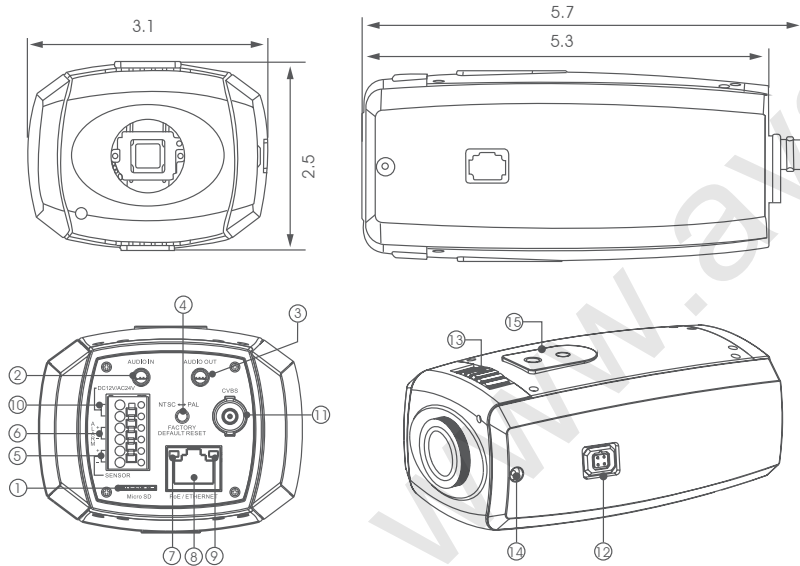
IP
HDTV / Megapixel
Network Cameras



FC CE

- Member of Onvif
- 3.27 Megapixel, 1/2.8" SONY Exmor CMOS
- C / CS Mount Lens
- Manual / DC Iris Lens
- True Day & Night with ICR Mechanism
- Min. Illumination of 0.625 Lux (Color), 0.31 Lux (B/W)
- Two-way Audio / PoE
- DC 12V / AC 24V Dual Power

General Feature Diagram Unit: (inch)



- | | | |
|------------------------------|-------------------------|---------------------------------|
| 1. Micro SD/SDHC Memory Slot | 6. Digital Output | 11. Service Video Connector |
| 2. Line / MIC In | 7. Network LED | 12. Auto Iris Jack |
| 3. Line Out | 8. Network Connector | 13. Back Focus Adjustment Level |
| 4. Reset Switch | 9. Status LED | 14. Focus Fixing Screw |
| 5. Digital Input | 10. Power Input(AC, DC) | 15. Tripod Mounting Hole |

KNC-Xi210HD

IP Box Camera



Technical Specification

Camera	Image Sensor	3.27 Megapixel, 1/2.8" SONY Exmor CMOS				
	Total Pixels (H x V)	2144 x 1588				
	Day & Night	True Day & Night with ICR Mechanism				
	Min. Illumination	0.625 Lux (Color) / 0.31 Lux (B/W) (30 IRE@F1.4)				
	Shutter Speed	1/50 ~ 1/2000				
Lens	Lens	C / CS Mount				
	Lens Type	Manual / DC Iris Lens				
Video	Maximum Resolution	H.264	1920 x 1080 (16:9)	MJPEG	1280 x 720 (16:9)	
	Frame Rate	H.264	30 fps	MJPEG	30 fps	
	Compression	H.264		MJPEG		
	Streaming	Dual-Stream at different frame rate and bandwidth				
	Digital Slow Shutter	Off, 2x, 4x				
Audio	Image Settings	Brightness, Contrast, Saturation, Sharpness, White balance, Exposure control, Image rotation, Text and image overlay, Privacy masking				
	Streaming	Two-way, full duplex				
	Compression	G.711, G.726				
	Input / Output	External Microphone or Line Input / Line Output				
	LAN	Ethernet 10/100 Base-T (RJ-45 Type)				
Network	Security	Multiple user access levels with password protection, IP Address Filter				
	Protocol	IPv4, HTTP, TCP, RTP, UDP, IGMP, RTCP, SMTP, FTP, ICMP, DHCP, ARP, DNS, DDNS, HTTPS, UPnP				
	ONVIF Compliant	Yes				
	Interface	OS	Windows XP, Vista, 7	Browser	Internet Explorer	
	Record Schedule	Continuous, Motion, Sensor, Pre & Post Alarm				
Intelligent Video	Video Motion Detection	Yes				
Alarm and Event	Alarm Triggers	Intelligent video, external inputs, manual triggers, network fail, SD card scheduling, reboot				
	Alarm Events	JPEG image upload via FTP & Email, notification via E-mail, recording AVI or JPEG using Micro-SD, external output activation				
General	Processors	CPU: ARM 926EJ-S				
	Memory	RAM: 128 MB, Flash: 64 MB				
	Power	PoE class 3 (IEEE 802.3af) DC 12V 475mA / AC 24V 5.2W				
	Interface	Analog Composite Output				
		Power (AC 24V or DC 12V) Input				
		Sensor Input x 1 / Alarm Output x 1				
		Audio Input x 1 / Audio Output x 1				
	Status & Network LED					
Local storage	MicroSD/SDHC up to 32GB					
Operating Temperature	14 °F ~ 122 °F (-10 °C ~ 50 °C)					
Conditions	Humidity 20 ~ 80% RH (No Condensing)					
Dimension	3.1 x 2.5 x 5.3 inch (80 x 62.8 x 134.2 mm)					
Weight	0.77 lbs (350 g)					

For design help, accessories or pricing, please contact:
sales@avsupply or call: 1-858-565-1101