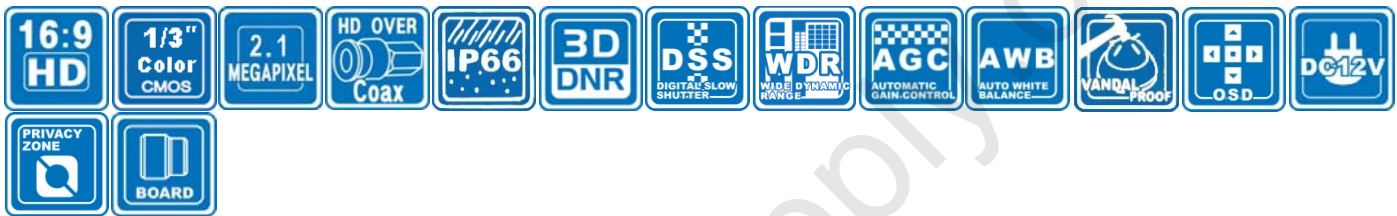




## HD Low Profile Vandal Proof Camera

- 2.1 Mega Pixel, 1/3" Exmor SONY CMOS
- 1080p (1920x1080) @ 30fps (Standard)
- WDR, BLC, AGC, 3DNR
- 3.7mm Board Lens
- Privacy Masking
- Convenient OSD
- HD-SDI (BNC) / Service Video Output
- Vandal Proof & Weatherproof (IP66)
- DC12V Only



### Key Features

- Wide Dynamic Range (WDR)
- 3D Digital Noise Reduction (3DNR)
- Digital Zoom up to 20x
- 24 zone Privacy Masking
- Fast Shutter Speed (1/60 ~ 1/100,000 sec)

#### Convenient OSD Menu

All camera operation can be controlled by OSD (On-Screen Display) menu on the monitor screen so that users can adjust this camera for optimal setting with great convenience.

#### Privacy Image Masking

For the privacy protection in the open area observation, some particular area can be masked for privacy purposes. Users can easily setup the masking areas of the desired zones. 24 Privacy Zone available.

#### Vandal-Proof Dome Housing

The die-casting aluminum dome housing and polycarbonate dome cover ensures the perfect camera durability and protects the camera from external shock.

#### IP66 Rating (Weatherproof)

Meeting the standards of IP66, this dome will withstand dust and heavy seas. Rugged enough for any outdoor environment, yet cosmetically designed to fit in indoor environments.

**HD camera delivers a megapixel quality video without requiring IT network bandwidth, dropping packets, or reduced resolution from compression.**



\* Specifications & Features are subject to change without prior notice.

KT&C America, Inc.: (East)  
777 Terrace Ave. Suite 402, Hasbrouck Heights, NJ 07604  
T: 201-393-0118 F: 201-393-0116 E: sales-america@ktnccamera.com

KT&C USA, Inc.: (West)  
3240 Wilshire Blvd. #501, Los Angeles, CA 90010  
T: 213-381-0061 / F: 213-381-0061 E: sales-usa@ktnccusa.com

For design help, accessories or pricing, please contact:  
sales@avsupply or call: 1-858-565-1101

**AUDIOVIDEO SUPPLY**  
1-800-284-2288 sales@avsupply.com  
www.avsupply.com

**WDR (Wide Dynamic Range)**

To get detailed information from dark and bright combination Image without any saturation, the WDR Technology is required. It combines bright areas with high shutter speed exposure and dark areas with low shutter speed exposure into one composite image



**Digital Noise Reduction**

The amount of low luminance noise is remarkably reduced and signal-to-noise ratio (S/N) as well as horizontal resolution is improved, resulting in a clear and sharp image display even in dark condition.

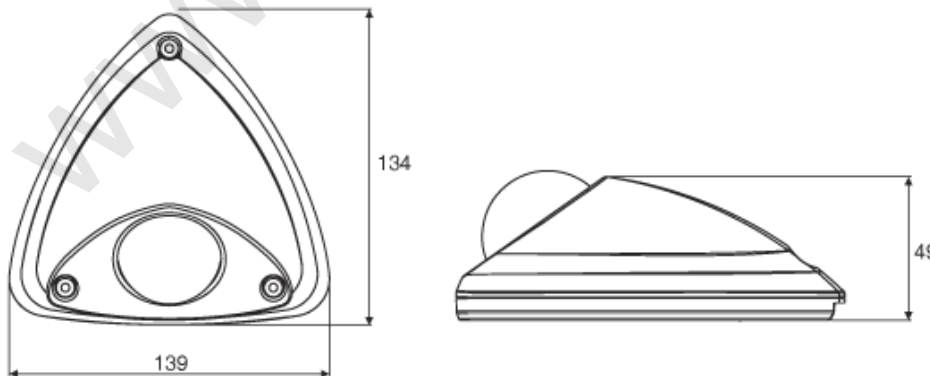


**HDcctv provides superior surveillance environment compared to conventional VGA camera.**



**General Feature Diagram**

(Unit: mm)



\* Specifications & Features are subject to change without prior notice.

KT&C America, Inc.: (East)  
777 Terrace Ave. Suite 402, Hasbrouck Heights, NJ 07604  
T: 201-393-0118 F: 201-393-0116 E: sales-america@ktnccamerica.com

KT&C USA, Inc.: (West)  
3240 Wilshire Blvd. #501, Los Angeles, CA 90010  
T: 213-381-0061 / F: 213-381-0061 E: sales-usa@ktnccusa.com

For design help, accessories or pricing, please contact:  
sales@avsupply or call: 1-858-565-1101

Distributed By: Audio Video Supply -- Tel: 1-800-284-2288 -- www.avsupply.com

## Technical Specification

Model		KPC-HLV40
Image Device		2.1 Mega Pixel, 1/3" Exmor SONY CMOS
Video Output Mode		HD-SDI : 1080p@30fps, 1080p@25fps 720p@60fps, 720p@50fps TV Out : NTSC / PAL Selectable
Effective Pixels		1984(H) x 1105(V)
Unit cell size (um)		2.8(H) x 2.8(V)
S/N ratio		More than 50 dB
Video Output		HD-SDI / 1.0 Vp-p Composite (75Ω)
Min. Illumination		0.1 Lux
Lens		3.7mm Board Lens
Min. Exposure Time		1/60,000 sec
Shutter speed		Auto / Manual Selectable
IP Rating		IP66 (Weather Proof)
Function	On-Screen Display (OSD)	Built-in
	BLC	ON / OFF (Level adjustment, Area selection)
	Digital Zoom Ratio	1x ~ 20x
	Digital Slow Shutter	OFF, x2, x3, x4
	White Balance	AUTO / AUTOext / PUSH / MANUAL
	Privacy Masking	Zone 24 ea, On / Off
	WDR	ON / OFF (Level adjustable)
	AGC	0 ~ 23 dB
	Flickerless	60Hz / 50Hz Selectable
	3DNR	OFF / LOW / MIDDLE / HIGH
Operating Temperature		-40 °C ~ 50 °C (14 °F ~ 122 °F)
Storage Temperature		-20 °C ~ 60 °C (-4 °F ~ 140 °F)
Humidity		Operating : Less than 80% / Storage : Less than 95%
Power Consumption		DC12V (±10%) Max. 200 mA
Weight & Dimension		500g / 139mm(W) x 49mm(H) x 134mm(D)

\* Specifications & Features are subject to change without prior notice.

Last Updated: 7/23/12

KT&C America, Inc.: (East)  
777 Terrace Ave. Suite 402, Hasbrouck Heights, NJ 07604  
T: 201-393-0118 F: 201-393-0116 E: sales-america@ktnccamerica.com

KT&C USA, Inc.: (West)  
3240 Wilshire Blvd. #501, Los Angeles, CA 90010  
T: 213-381-0061 / F: 213-381-0061 E: sales-usa@ktnccusa.com

For design help, accessories or pricing, please contact:  
sales@avsupply or call: 1-858-565-1101