



Super Night Vision Color Camera

- 600TVL Horizontal Resolution
- 70 Units IR LED with Max. 150Ft
- Lens: F=2.8 ~12.0 mm or F=9.0 ~22.00 mm
- External Zoom & Focus Adjustable
- Waterproof (IP66 Rating), DWS
- 3D Digital Noise Reduction (3D DNR)
- OSD with Built-in Joystick Controller
- AGC, Sense-Up, HSBLC, D-WDR, AWB



Key Features

- Sony 1/3" Super HAD Color CCD II
- 600TVL Horizontal Resolution
- Varifocal F2.8 ~12.0mm or F9.0 ~22.0mm External Control Zoom and Focus
- True Day & Night (ICR) / 70 IR LEDs
- Outstanding Durability with IP66
- Highlight Suppression BLC (HSBLC)
- 3D Digital Noise Reduction (3D DNR)
- Digital Wide Dynamic Range (D-WDR)
- Sense-Up Function (Max. x256)
- 8-Zone Privacy Masking
- Motion Detection
- Freeze / Mirror / Sharpness
- OSD With Built-in Joystick controller
- Supports Dual 12VDC/24VAC Power Supply



3D Digital Noise Reduction (3D DNR)

The amount of low illuminance noise is remarkably reduced and signal-to-noise ratio (S/N) as well as horizontal resolution dramatically improved, it results in a clear and sharp image display even in the dark lighting condition.



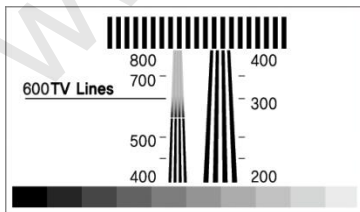
CONVENTIONAL CAMERA



KPC-N570NH

Superior Image Resolution of 600 TV Lines

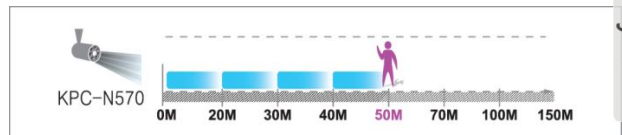
Outstanding performance of 600 TV Lines in a IR Bullet type camera. Outdoor and other various multiple application use. With 600 TV Lines resolution,



you'll experience the most crisp clear picture image on your monitor with advanced digital ghost and noise reduction technology only from KT&C brand cameras.

0 Lux Min. illumination with 70 IR LEDs

KPC-N570NH is equipped with built-in 70 units of IR , It can capture Clear image as Far as 50M(150ft) away even in completely darkness.



* Specifications & Features are subject to change without prior notice.

KT&C America, Inc.: (East)
777 Terrace Ave. Suite 402, Hasbrouck Heights, NJ 07604
T: 201-393-0118 F: 201-393-0116 E: sales-america@ktncamerica.com

KT&C USA, Inc.: (West)
3240 Wilshire Blvd. #501, Los Angeles, CA 90010
T: 213-381-0061 / F: 213

For design help, accessories or pricing, please contact sales@avsupply or call: 1-858-565-1101

AUDIOVIDEO SUPPLY
1-800-284-2288 sales@avsupply.com
www.avsupply.com

Distributed by: Audio Video Supply -- Tel: 1-800-204-4200 -- www.avsupply.com

Part No.: KPC-N570NH

Excellent Low-Light Performance (Sense-Up)

With the built-in sense-up function, you can maintain a brilliant image by automatically detecting a light level in a dark environment and enhance the sensitivity to achieve an excellent low-light performance.



CONVENTIONAL CAMERA

SENSE-UP MODE ON

True Day & Night with ICR Mechanism

Dual Filter System Combination built-in, KPC-N570NH Provides true Color Image at day time and real B/W Image at night time. Removable IR Cut Filter is on for color image operation and off to increase light sensitivity for monochrome mode



Day Time

Night Time

Digital Wide Dynamic Range (D-WDR)

D-WDR enhances the image quality between two contrasting light sources. It compensates for the dark and bright images without any saturation to obtain the best possible picture.



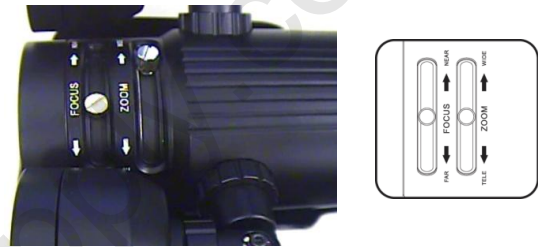
NORMAL

BLC

WDR ON

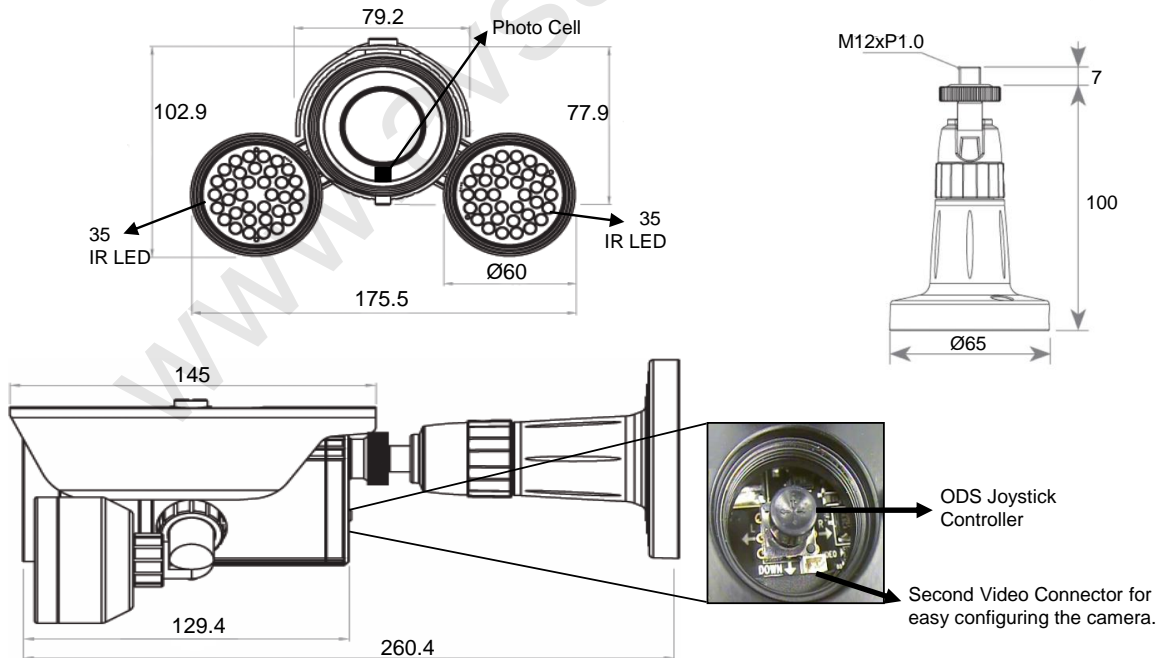
External Zoom and Focus Adjustable

KPC-N570NH has convenient external Zoom and focus controller for Easy installation



General Feature Diagram

(Unit: mm)



* Specifications & Features are subject to change without prior notice.

KT&C America, Inc.: (East)
 777 Terrace Ave. Suite 402, Hasbrouck Heights, NJ 07604
 T: 201-393-0118 F: 201-393-0116 E: sales-america@ktncamerica.com

KT&C USA, Inc.: (West)
 3240 Wilshire Blvd. #501, Los Angeles, CA 90010
 T: 213-381-0061 / F: 213-381-0061 E: sales-usa@ktncusa.com

For design help, accessories or pricing, please contact:
 sales@avsupply or call: 1-858-565-1101

Distributed by: Audio Video Supply -- Tel: 1-800-204-4200 -- www.avsupply.com

Technical Specification

Model		KPC-N570NH	KPC-N570PH	
Signal System		NTSC	PAL	
Image Sensor		1/3" Sony Super HAD CCD II		
Scanning System		2:1 Interlace		
Scanning Frequency (H) X (V)		15.734 KHz X 59.94 Hz	15.625 KHz X 50 Hz	
Horizontal Resolution		600 TV Lines		
Total Pixels		811(H) x 508(V)	795(H) x 596(V)	
Effective Pixels		768(H) x 494(V)	752(H) x 582(V)	
Synchronization		Internal		
Luminance S/N		More than 50dB (AGC Off)		
Min. Illumination		0 Lux (IR LED On)		
Gamma		r=0.05 ~ 1.0 Adjustable / User		
Electronic Shutter		1/60 ~ 1/100,000 sec	1/50 ~ 1/100,000 sec	
Video Output Level		1.0 Vp-p Composite (75Ω)		
Lens	Aspheric Vari-Focal DC IRIS Lens (ICR)	Focal Length	2.8 ~ 12.0	9.0 ~ 22.0
		Aperture	F1.2 ~ 360	F1.6 ~ 360
		Angle of View	130.4° ~ 30.4°	40.6° ~ 16.2°
Day and night		True Day and Night With ICR Mechanism		
IR LED		850nm, 35ea X 2, Up to 50m (150FT)		
IR LED Operation		On : 1Lux, Off : 3Lux		
IP Rating		IP66 (Water Repellent)		
OSD Display		Built-in		
Function	Sense-Up	Off/ X2 ~ X256 (Auto Adjustable)		
	3D DNR	Off / On (0 ~ 100 Level Adjustable)		
	D-WDR	Off / Indoor / Outdoor		
	BLC	Off / BLC / HSBLC		
	Image	Freeze / Mirror / D-zoom / Sharpness / NEG.Image		
	Gain Control	Off / Low / Middle / High		
	White Balance	ATW / PUSH / PUSH-LOCK / MANUAL / INDOOR / OUTDOOR		
	Motion Detection	Zone 4ea (Mask On / Off)		
	Privacy Masking	Zone 8ea (Mask On / Off)		
	Language	Standard : English / French / Russian / German / Spanish / Dutch Option 1 : English/ Chinese Option 2 : English / Japanese		
Operating Temperature		-10 °C ~ 50 °C (14 °F ~ 122 °F)		
Storage Temperature		-20 °C ~ 60 °C (-4 °F ~ 140 °F)		
Humidity		Less than 80%		
Power Supply		Dual: DC 12V ±10% (Max 1A) / AC 24V ±10% (Max 11W)		

* Specifications & Features are subject to change without prior notice.

KT&C America, Inc.: (East)
 777 Terrace Ave. Suite 402, Hasbrouck Heights, NJ 07604
 T: 201-393-0118 F: 201-393-0116 E: sales-america@ktncamerica.com

KT&C USA, Inc.: (West)
 3240 Wilshire Blvd. #501, Los Angeles, CA 90010
 T: 213-381-0061 / F: 213-381-0061 E: sales-usa@ktncusa.com

For design help, accessories or pricing, please contact:
 sales@avsupply or call: 1-858-565-1101