



# KPC-N635NH10

IR Dual Voltage Varifocal IP66 Bullet Camera

[www.ktncusa.com](http://www.ktncusa.com)

The KT&C KPC-N635NH10 uses 42 IR LEDs with adjustable level control to produce 600TVL day/night images in low or no light out to a range of 120 feet or more. The KPC-N635NH offers flexible positioning for wall or ceiling mounting in an IP66 weather resistant, vandal resistant bullet housing with operation down to -4°F; varifocal 2.8~12mm lens with weather resistant screw type external lens controls to easily adjust the focus and field of view; reflection preventing dual section cover glass; adjustable IR level to achieve detection range while avoiding interference from reflections; dual voltage 12VDC/24VAC operation; and a rapid-mount base plate (base plate is easily mounted to wall or ceiling, camera attaches to base plate with machine screws). This is the economical IR camera that you have been waiting for to create analog CCTV systems that produce outstanding image clarity in a wide range of indoor or outdoor applications at virtually any light level.

FC | CE

KPC-N635NH10: IR Dual Voltage Varifocal 2.8~12mm IP66 Bullet Camera (NTSC)

For design help, accessories or pricing, please contact:  
sales@avsupply or call: 1-858-565-1101

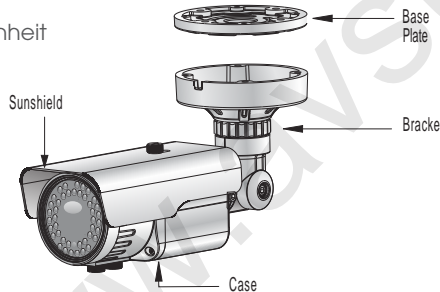


**AUDIOVIDEO SUPPLY**  
1-800-284-2288 sales@avsupply.com  
www.avsupply.com

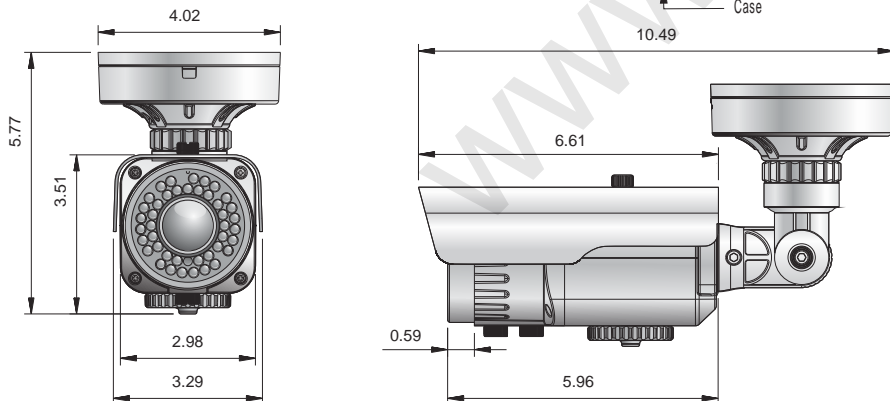


### Key Features:

- High performance sensor delivers native .01 lux low light sensitivity before IR illumination
- Resolution of over 600 horizontal TV lines for improved image quality
- Flexible positioning for convenient wall or ceiling mounting
- Varifocal 2.8~12 mm lens with convenient external adjusters to capture the desired field of view
- Equipped with 42 IR LEDs for 120 foot range (depending on scene IR reflectivity)
- Adjustable IR output level to achieve detection range while avoiding interference from reflections
- Reflection preventing dual section cover glass isolates IR emitters from lens to prevent image distortion
- Video test output point for convenient aim and focus during installation, and ease of service
- Cables protected from weather and tampering by the mounting base
- Convenient rapid-mount base plate easily attaches to surface, camera attaches to plate with machine screws
- Operating range down to -4 degrees Fahrenheit
- IP66 (Weather Resistant)
- Dual voltage (12V DC/24V AC) operation



### Dimensions (Unit: Inches)



# KPC-N635NH10

IR Dual Voltage Varifocal IP66 Bullet Camera



### Technical Specification

Imaging Device	1/3" High Sensitivity CCD
Video Format	NTSC
Effective Picture Elements	768(H) x 494(V)
Horizontal Resolution	More than 600TVL
Sensitivity	0 lux with IR on 0.01 lux native from sensor
IR LEDs	42 LEDs with output at 850nm and adjustable level
IR Range	to 120 feet (depending on scene IR reflectivity)
IR Switch Points	On at ~1 lux; Off at ~3 lux
S/N Ratio	Over 48dB (AGC off)
Video Output	BNC 1.0V p-p 75Ω; video test point inside cover, cable supplied
Gamma Correction	0.45
Lens Type	Varifocal 2.8~12 mm (electronic iris)
Positioning	Flexible positioning for wall or ceiling mounting
Day/Night	Electronic D/N
Electronic Shutter	1/60 ~1/100,000 sec.
Sync. Mode	Internal
Power Source	12V DC/24V AC
Power Consumption	DC 12V nominal 80mA; 430mA IR on AC 24V nominal 3W; 6.6W IR on
Operating Temperature	-4°F~-122°F ; -20°C~-50°C
Environmental	IP66 weather resistant
Mechanical	Metal housing with sun shield; bottom weather sealed access ports for lens controls, IR level and video test point
Dimensions	Body (across sunshield): 4.02" diameter/ 12.34" long w/ sunshield ; 12.36" in line, longest extension; in 90° position, 10.4" long and 5.77" high
Weight	2.45 lbs
Certifications	CE / FCC
Warranty	2 Years

Typical option to change specs without notice; not responsible for typos.



Rev. 12062013

For design help, accessories or pricing, please contact:  
sales@avsupply or call: 1-858-565-1101