

VS-5521 / 5521IR

2.0MP IP Low Light Vandal Dome / IR Camera

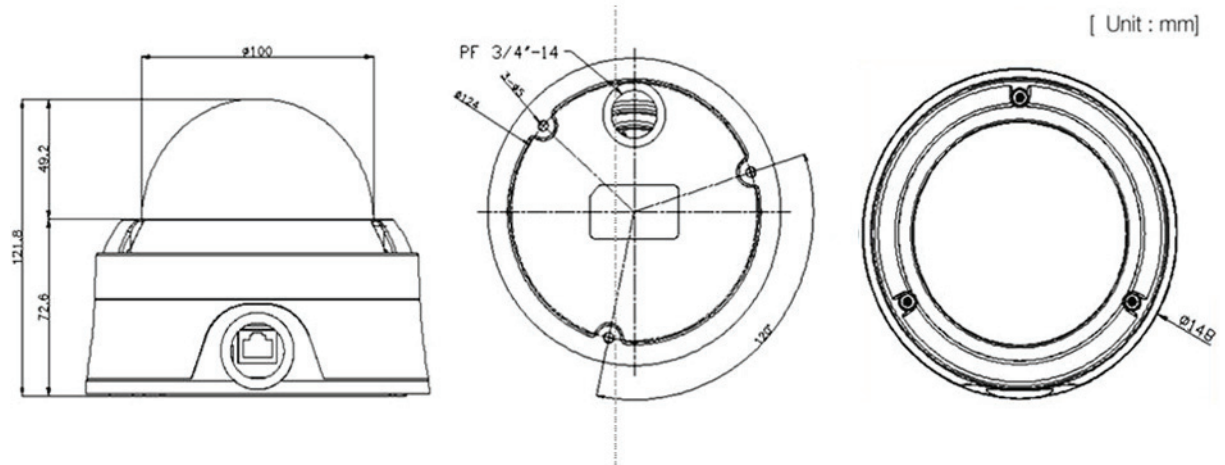


- 2.0MP 1/3" Progressive Scan Panasonic CMOS Sensor
- Min. 0.03Lux(color), 0.02Lux(B/W)
- Max. 30fps @ 1920 x 1080
- Auto Iris varifocal lens (f=3 ~ 9mm, F1.4) built-in
- Mechanical IR cut filter for True day & night (ICR)
- HSBLC (Highlight Suppression Backlight Compensation)
- Superior Low Light Performance
- Powerful Demist (anti-fog algorithm)
- 3D Noise reduction
- Privacy masking
- Dual Streaming (H.264/H.264, H.264/MJPEG)
- PoE (Power over Ethernet): 802.3af
- Composite video output
- 3-Axis internal camera bracket
- SD/SDHC slot for local storage
- Compliant with ONVIF, PSIA

2 MEGAPIXEL	PoE+ POWER OVER ETHERNET	VANDAL-PROOF
IP66 INGRESS PROTECTION	IR ILLUMINATION	SUPER LOW LIGHT

VS-5521	Price: \$799.00
VS-5521IR	Price: \$829.00

VS-5521 / 5521IR Dimensions



VS-5521 / 5521IR specifications

Camera	Image sensor	2.0 Megapixel - 1/3" CMOS Progressive Scan Image Sensor
	Synchronization	Internal
	Minimum Illumination	0.03 Lux (color), 0.02 Lux (B/W) with 50IRE
	Electronic shutter speed	1/30 ~ 1/67,500 sec
Image Enhancement	Automatic gain control	Auto, Manual
	White balance mode	AWB, Manual, Outdoor, Indoor
	True Day & Night (TDN)	Auto, Day, Night, Threshold
	Backlight compensation	BLC, HSBL (Highlight Suppression Backlight Compensation)
	Digital noise reduction (filter)	2DNR, 3DNR, SMART
	De-Mist	Supports
	On-screen display	English
	Motion detection	Supports
	Privacy masking	Supports
	Flip mode	Horizontal, Vertical, Rotate
Lens	Lens type	Auto DC
	Digital zoom	x10 Digital Zoom
	Focal length	f=3 ~ 9mm, Auto Iris varifocal lens, IR Cut filter
	Maximum aperture ratio	F1.4
	Angle of view	Horizontal: 92.9(wide) ~ 31.7(tele), Vertical: 67.9(wide) ~ 23.7(tele)
	IR LED	VS-5521 - Not available, VS-5521IR - 850nm, 24Pcs
Video	Video compression	H.264 HP Level 4
	Frame rate	30fps
	Bitrate	Pri: 32Kbps ~ 10Mbps, Sec: 32Kbps ~ 1Mbps
	Resolutions (Max)	1920 x 1080
	Video streaming	Primary: H.264, Secondary: H.264, MJPEG
	Color control	Brightness, Contrast
	Video output	Composite
	Backup	SD card, FTP
Audio	Audio compression	G.711, AAC
	Audio sampling rate	G.711: 8KHz, AAC: 32KHz
	Audio input/output	1 x line-in (stereo) 1 x line-out (stereo)
Integration Interface	API	SDK, PSIA, OnVIF
	Serial connectors	1 x RS-485
	Sensor input	1 x NO Contact
	Alarm output	1 x NO Contact
Network	Network interface	Ethernet 10/100Base-T (RJ-45)
	Network protocol	TCP/IP, UDP, Multicast, DHCP, SMTP, HTTP, HTTPS, SNMP, RTP, RTSP, UPnP, WS-Discovery, Zero Configuration, DDNS
General	Ingress protection rating	IP 66
	Certifications	CE, FCC
	Power supply	DC 12V/0.8A , PoE(Power over Ethernet): 802.3af
	Operating temperature	-10°C ~ 50°C (14°F ~ 122°F)
	Dimension	100Ø x 4 9.2 for Vandal Dome, 148Ø x 72.6 for Base (121.8 H)mm 3.94Ø x 1. 94 for Vandal Dome, 5.83Ø x 2.86 for Base (4.8 H)in
	Weight	1012g / 2.23lb

Features, specifications, pricing, and dimensions are subject to change without notice.

Physical appearance of products may vary slightly from images shown on this document. Please visit our website for updates and information.